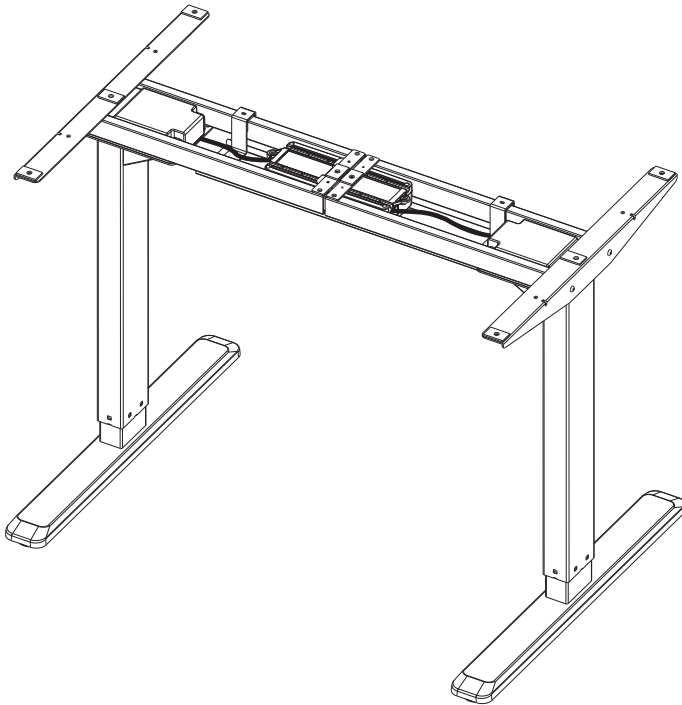




# ERGO Electric Sit-Stand Desk Frame Dual Motor



650803 / 650804 / 650805

**INSTALLATION MANUAL**



WARNING: FAILURE TO COMPLY WITH OR OBSERVE ALL ASSEMBLY, SAFETY AND OPERATION INSTRUCTIONS AND WARNINGS REGARDING THE USE OF THIS PRODUCT MAY RESULT IN SERIOUS BODILY INJURY.

## Important information

Read the entire instruction manual before you start installation and assembly.

This product is not intended for use by young children without supervision.

This product contains small items that could be a choking hazard if swallowed. Keep these items away from children.

This product is intended for indoor use only. Using this product outdoors could lead to product failure and personal injury.

This product can be used by children from 8 years old (supervised) to Adult. Users with disabilities or lack of experience and operating knowledge should be supervised and given careful instruction prior to using this product. The desktop should never be sat on and children should be prohibited from having unsupervised contact with the product.

Cleaning and user maintenance shall not be made by children without supervision.

If the supply cord is damaged, it must be replaced by the manufacturer, its service agent or a similarly qualified person in order to avoid a hazard.

**IMPORTANT:** Ensure that you have received all parts according to the component checklist prior to installation. If any parts are missing or faulty, telephone your local distributor for a replacement.

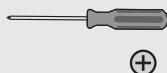
**QUICK TIP: DO NOT overtighten screws during installation.**

### CAUTION:

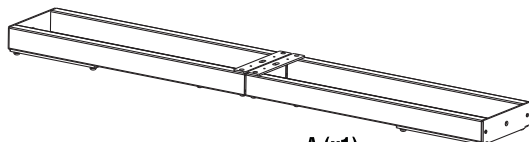
- Please place the product away from corrosive gas, water and dusty environment.
- Please do not disassemble all the components, otherwise, it will be seen as the withdrawn of the warranty service.

### Disposal:

This marking indicates that this product should not be disposed with other household wastes throughout the EU. To prevent possible harm to the environment or human health from uncontrolled waste disposal, recycle it responsibly to promote the sustainable reuse of material resources. To return your used device, please use the return and collection systems or contact the retailer where the product was purchased. They can take this product for environmental safe recycling.



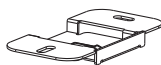
# Component Checklist



**A (x1)**  
telescopic crossbar



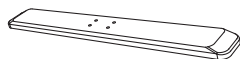
**B (x1)**  
control unit



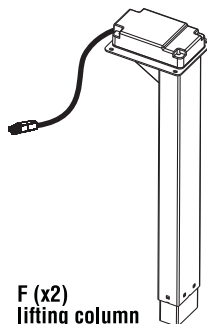
**C (x1)**  
fixing plate



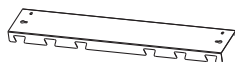
**D (x2)**  
side bracket



**E (x2)**  
foot



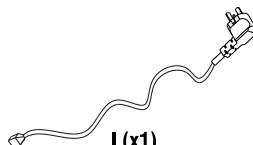
**F (x2)**  
lifting column



**G (x1)**  
shelf



**H (x2)**  
hook



**I (x1)**  
Power Plug



**S-A (x20)**



**S-B (x10)**



**S-C (x2)**



**S-D (x1)**  
Allen key



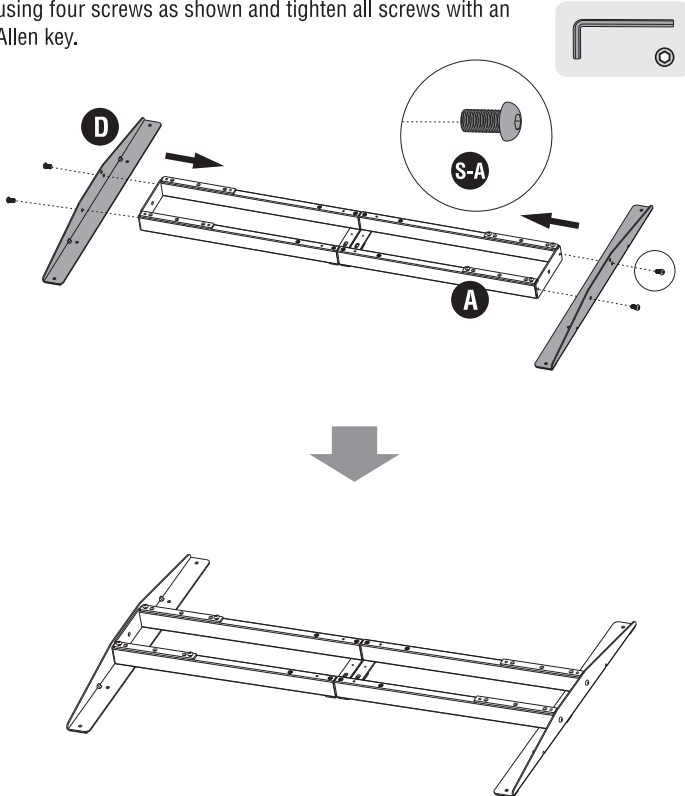
**S-E (x3)**  
cable clip



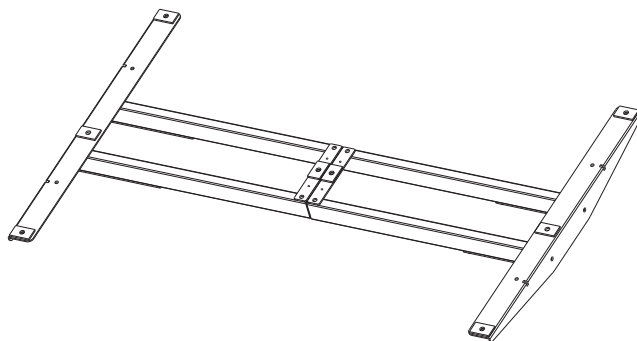
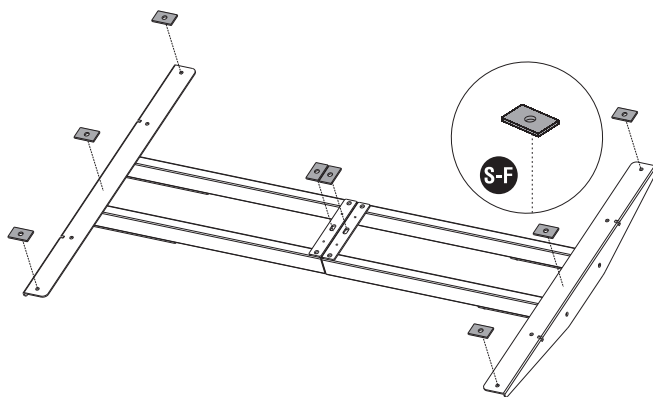
**S-F (x8)**  
rubber pad

# 1 Assembling the Frame

- Attach the two side brackets to the two ends of the frame using four screws as shown and tighten all screws with an Allen key.

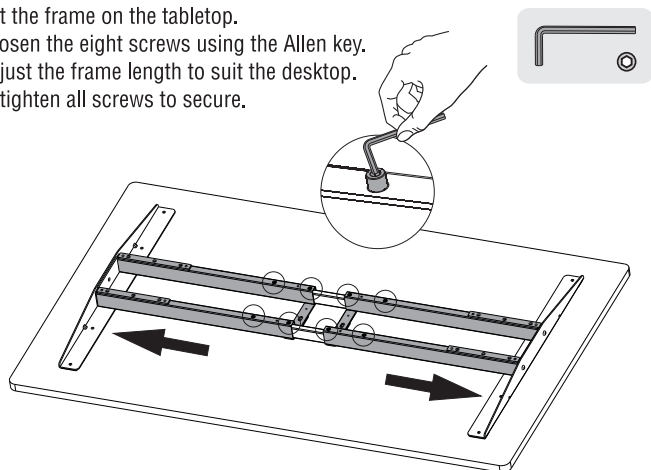


- Remove the protective films from the adhesive rubber pads.
- Stick the rubber pads to the frame.

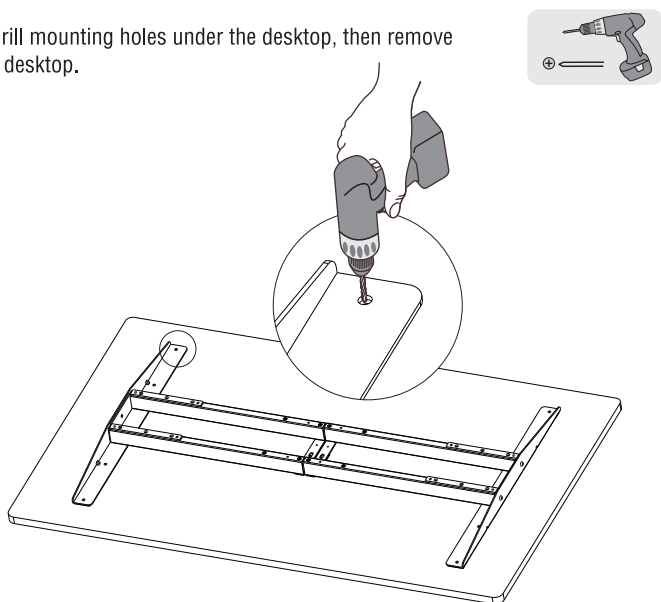


## 2 Drilling Mounting Holes Under Desktop

- Put the frame on the tabletop.
- Loosen the eight screws using the Allen key.
- Adjust the frame length to suit the desktop.
- Retighten all screws to secure.



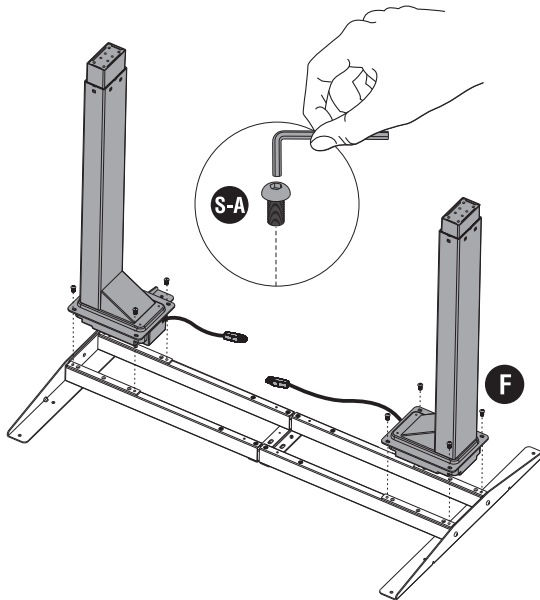
- Drill mounting holes under the desktop, then remove the desktop.



**Attention:** the maximum depth of holes is 3mm.

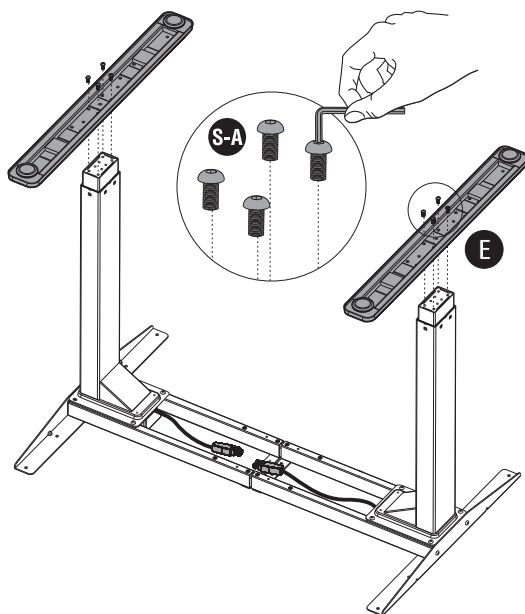
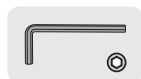
# 3 Assembling the Lifting Columns

- Attach the lifting columns to the assembled frame using the eight screws and tighten all screws with the Allen key.



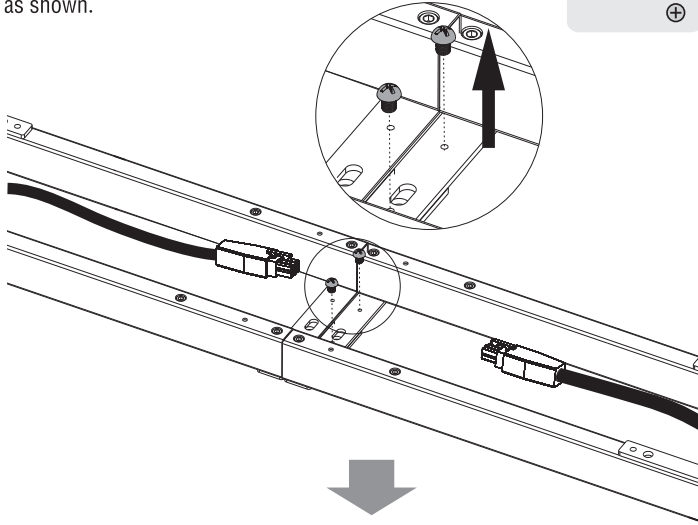
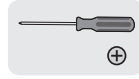
# 4 Installing the Feet

- Place the feet on the columns as shown.
- Insert the screws as shown and tighten them.

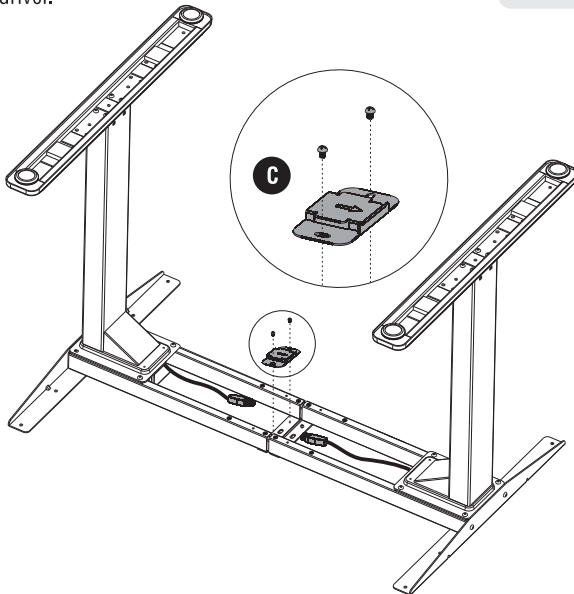


# 5 Installing the Fixing Plate

- Remove the screws in the center part of the crossbar as shown.

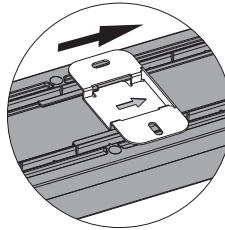
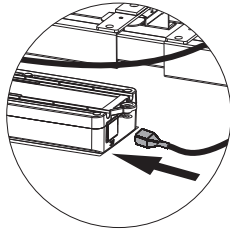
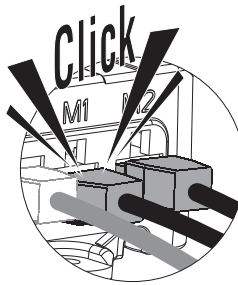
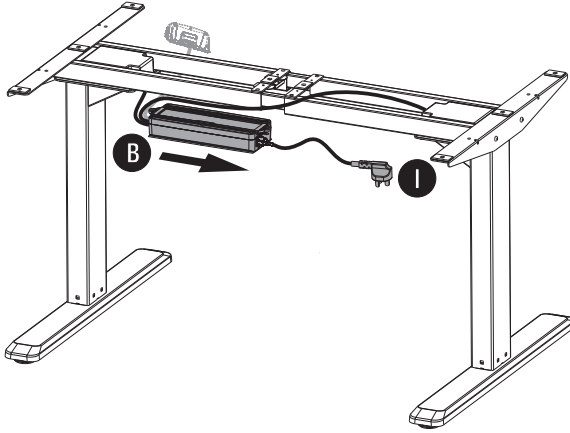


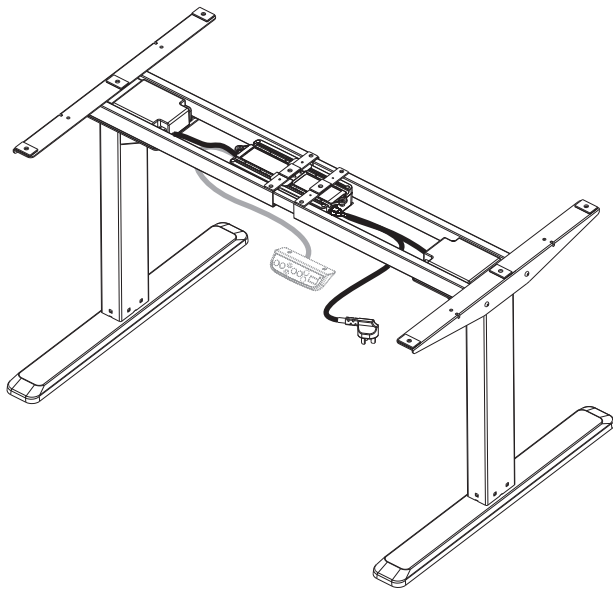
- Attach the fixing plate to the frame using the two removed screws and tighten all screws with a proper screwdriver.



# 6 Installing the Control Unit

- Connect all the wires to the control unit as shown below, then slide the control unit to the fixing plate.

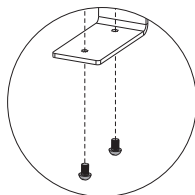
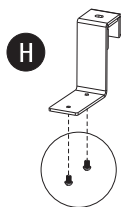




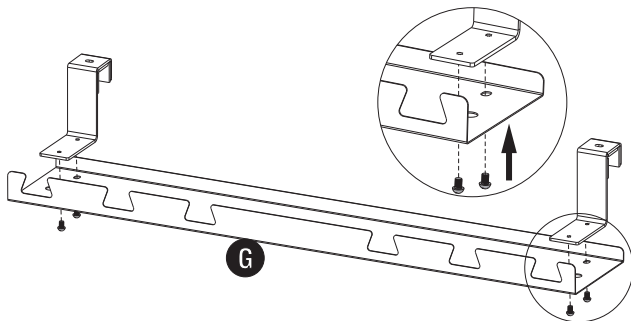
Note: Keep all cables organized.  
Don't expose the cables out of the telescopic crossbar.

# 7 Installing the Cable Management Shelf

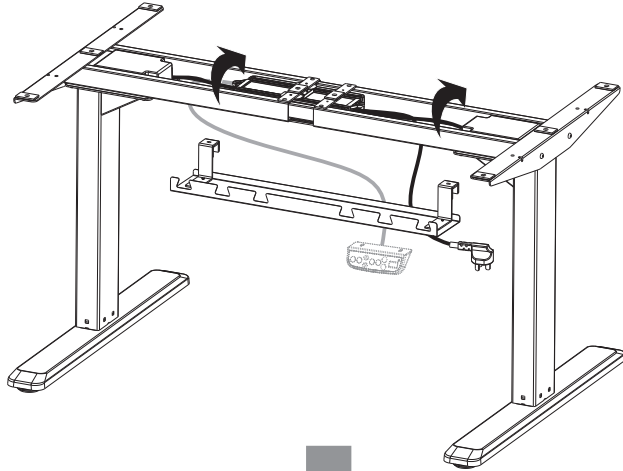
- Loosen and remove the screws with a proper screwdriver.



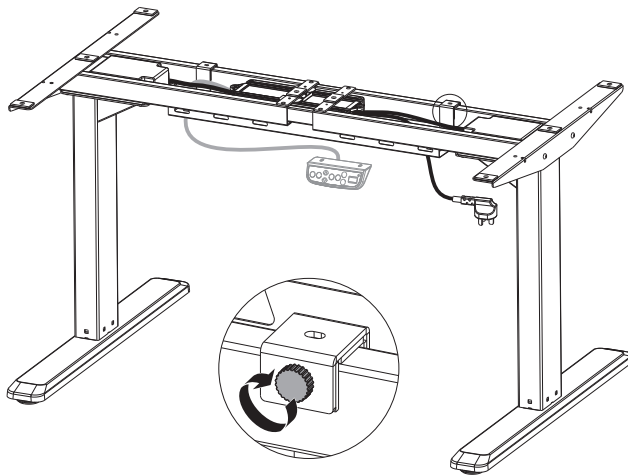
- Fix the hooks to the shelf with removed screws, tighten all the screws.



- Hang the cable management shelf onto the frame as shown below.

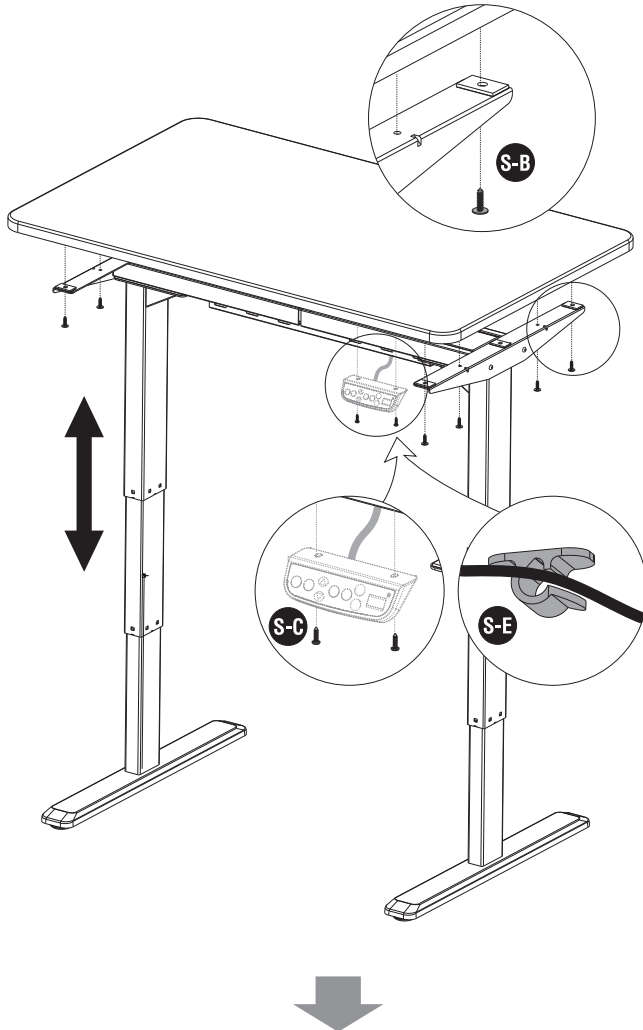
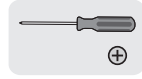


- Tighten all the screws on the hooks.

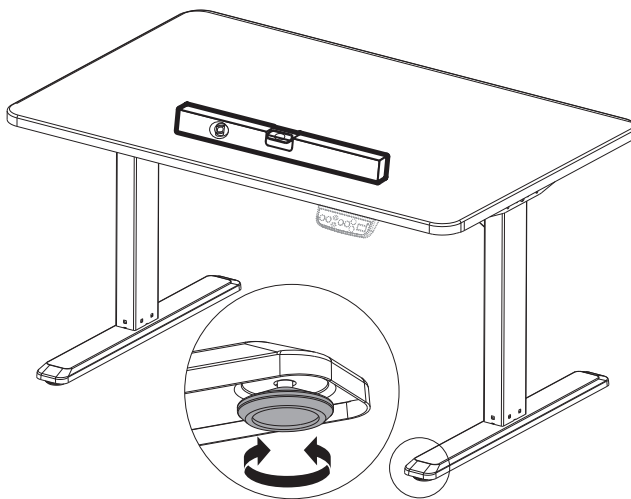


# 8 Installing the Desktop

- Connect the power to adjust the desk at the highest position, then attach the desktop and control panel to the frame, and tighten all screws.
- Add the cable clip to organize if needed.

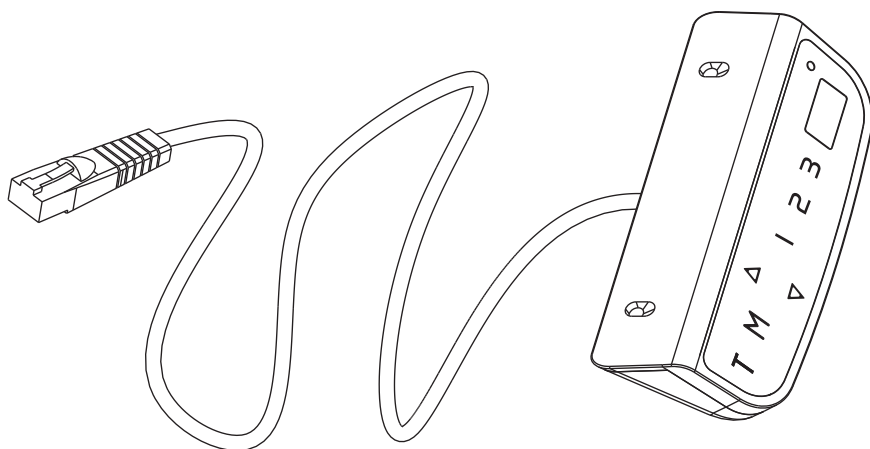


- Each foot pad can be adjusted independently for fine tuning.
- Slightly turn the foot pad to lower or raise the base.
- Use a level to make sure the desktop is even.



# Digital Control Panel For Electric Height Adjustable Desk

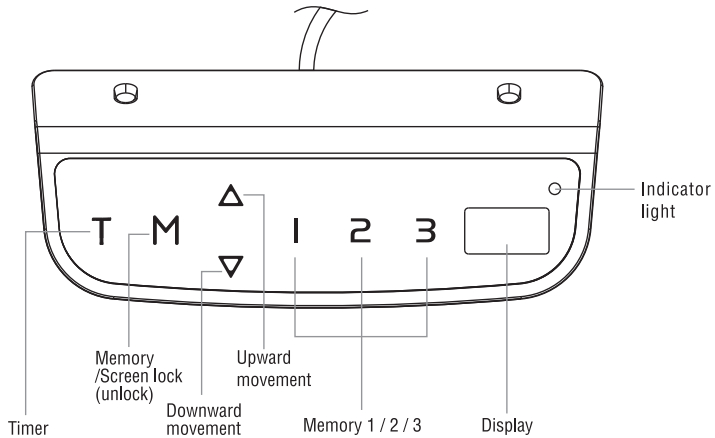
Installation Instruction & User Guide



**Model: CT-01**

# 1

## Operating Control Panel



### Operation Instruction:

**Activate the System:** Touch the screen. The “—” will appear on the display. Then, press and hold the “M” button for 3 seconds. The current height will display, and you can start operating the system.

**Height Adjustment:** Press and hold the up button to lift the desk. Press and hold the down button to lower the desk.

**Timer:** The timer is designed to inform users to stand up after a set period of time. Press the “T” button to set the period of time. The display will flash “0.5 h” for 0.5 hour. Each press of the “T” button leads to a 0.5 hour increment. The maximal setting of time is 2 hours. When the display stops flashing, then the period of time is successfully set. And the indicator light on the top right of panel will be on. When the set time is up, the buzzer will beep to remind the users. The timer will turn off automatically after a long beep. To cancel the timing, press “T” button for 5 times until the display shows the current height and the indicator light is off.

**Memory Setting:** Adjust the desk to your desired position. Press the “M” button, then “S-” appears on the display. Press “1”, “2” or “3”. The memory is successfully set. You can store up to 3 heights by repeating the same process.

**Protective Standby Mode:** If there is no operation for 1 minute, the system will enter the protective standby mode. To turn off the standby mode, press and hold the “M” button for 3 seconds. You can also press and hold the “M” button for 3 seconds to activate the standby mode, when you don’t need to operate the system.

**Power-saving Mode:** When no actions are made for over 10 minutes, the system will enter power-saving mode. Press any buttons to enter operation mode.

**Measurement Switch (cm/inch):** Press “T” for 8s. The buzzer will beep twice. The measurement is changed from centimeter to inch. If you want to switch the measurement back to centimeter, also press the “T” for 8s.

**Reset Mode:** While the system is reconnected, press the down button until “RST” is displayed. Continue to press the button. The desk will move down and then raise a little bit. (Make sure you never release the button during the process.) After the movement stops, the system is successfully reset to the starting position.

# 2

# Troubleshooting Guide

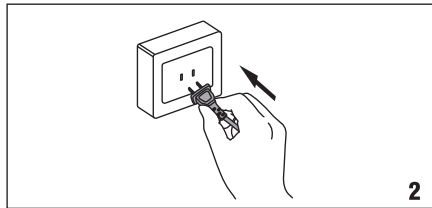
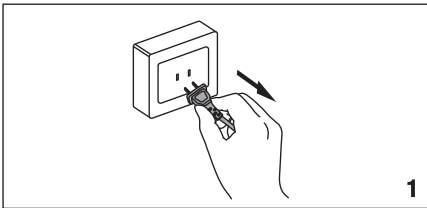
## In Front

This repair guide intends to help you identify and solve the minor problems caused by unusual operation of the electric system of our sit-stand desk. The simple procedures in this manual are easy to follow and capable of solving the most problems happened in everyday use.

If ER1/ER2/HOT/ER3/ER4/ER5 appear on the control panel, this is normally nothing to worry about, and usually is an indication that the system has experienced activity that is above rated specifications. Simply follow the steps below, most errors can be solved. If the problems aren't solved, please contact your point of purchase to replace components.

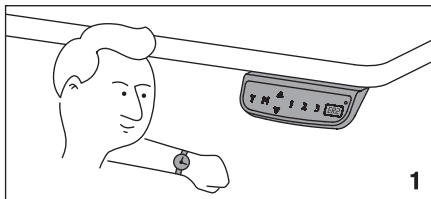
### 1. ER1 Troubleshooting

**Step1:** Check if the desk is overloaded. If so, remove the items on the desktop, and disconnect the power. If not, only disconnect the power.  
**Step2:** Wait for 10s then reconnect the cord.



### 2. ER2/HOT Troubleshooting

**Step1:** The system has experienced above-normal temperature. So, allow your desk to cool down and remain idle for approximately 20minutes. Never turn off the power during the process.



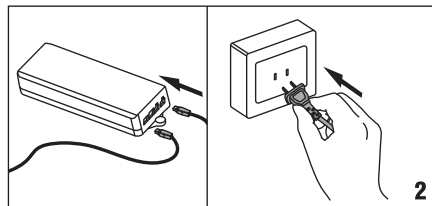
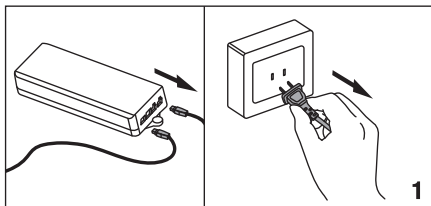
### 3. ER3/ER4/ER5 Troubleshooting

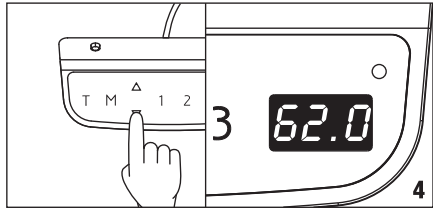
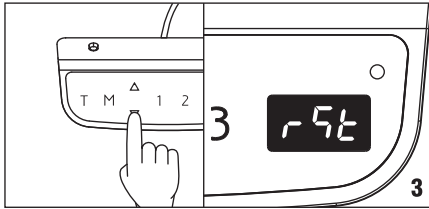
**Step1:** The system has experienced unusual electrical problems. Firstly, disconnect the motor cords and power.

**Step2:** Wait for 10s then reconnect the cords.

**Step3:** Press and hold the down button until the image appears, and continue to press the button. The desk will move down and then raise a little bit. (Make sure you never release the button during the process.)

**Step4:** Release the button after the movement stops.

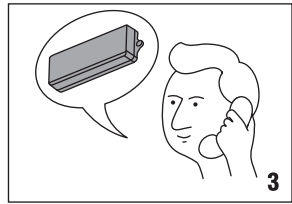
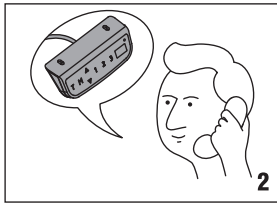
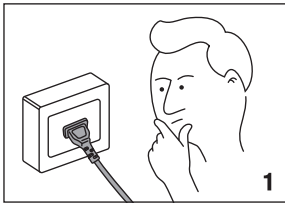




## Other Problems:

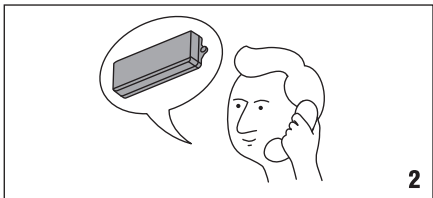
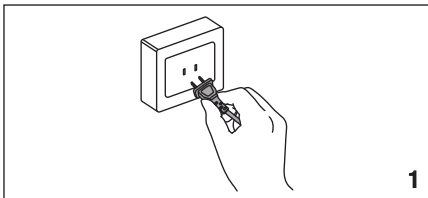
### 1. Control Panel Problems

If the control panel has no response or can't adjust the desk, please contact your point of purchase to replace the control panel after confirming the desk is properly connected to power. If the new control panel works, please contact us to replace the original control panel. If the desk still doesn't work, please contact your point of purchase for service or repair to your unit.



### 2. Lifting Columns Can't Operate

If the desk doesn't work, after confirming the control panel works properly, please turn the power off, and restart the system. If it still doesn't work, please contact your point of purchase for service or repair to your unit.



### 3. Overcurrent Protection

In addition, an over-current protection mode has been also programmed in this system. When the electricity is over rated specification, the system will enter this mode. The desk will lower approximately 30mm and stop with the height displayed if the mode activates. This is only an introduction of the function of the downward movement. No trouble shooting is required when this happens.