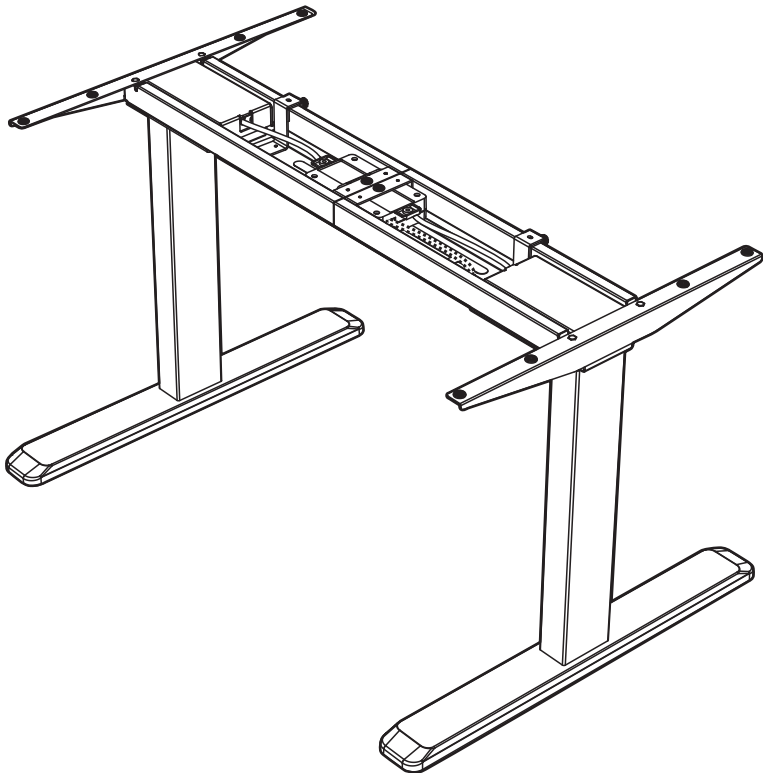




ERGO Electric Sit-Stand Desk Frame Dual Motor



650803 / 650804 / 650805

INSTALLATION MANUAL

Preface

This electric height adjustable standing desk consists of a heavy-duty steel desk frame and a motorized height adjustment system. Please read and completely understand this manual before installation in order to make sure the safe and correct use of the system and maintain the longevity of the overall construction and the built-in electronics.

Instructions of Safety and Warnings:

- Any failure to comply with the safety and installation instructions in this manual may cause serious bodily injury.
- Any incomplete observation of the instructions, warnings and additional information marked with the "Note" and "⚠" may result in serious damage to the system or its components.
- This product can be used by children aged from 8 years and above if they have been given supervision or instruction concerning use of the appliance in a safe way and understand the hazards involved. Children shall not play with the appliance. Cleaning and user maintenance shall not be made by children without supervision. Unplug the desk when the system isn't in use, and place the power plug out of children reach.
- Persons with reduced physical, mental abilities and or lack of experience and knowledge must not use the product, unless they're under supervision, understand the hazards involved or they have been thoroughly instructed in the use of the apparatus by a person who is responsible for the safety of these persons.
- Users should make sure that they never sit on the desktop in order to prevent serious bodily injury.



CAUTION

Electrical Safety Instructions:

The product is powered by electricity. In order to avoid burns, fire and electric shock, please read the instructions carefully.



Don't clean the product with water while the power is still connected.



Never operate the system if it's in moist environment or its electrical components have contact with liquids.



Don't disassemble or replace components while the power is still connected.



Don't operate the system if the control box makes noise or odor. Alterations of the given power unit and control box aren't allowed.



Never operate the system with a damaged cord or plug. Please contact your point of purchase to replace the damaged parts.



CAUTION

Other Safety Instructions:

- Clear up all obstacles within the height adjustment range.
- Don't leave the cords or plug unorganized in order to prevent tripping hazards.
- Any attempts to reconstruct the desk frame aren't allowed.
- Don't add anything to the adjustable junctions of the desk frame.
- Outdoor use is prohibited.

Preparation

1 What are the specifications you need to know?



Weight Capacity
125kg (275lbs)



Power Input
(100-240V)

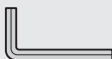


Operation Temperature
(-5°C--+40°C)

2 What are the tools you require while installation?



Bubble Level



Allen Wrench
(Included)

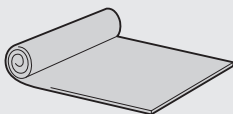


Drill



Phillips Screwdriver

3 What's the thing you'd better have before installation?



A Shipping Blanket
to protect the desk
and the floor

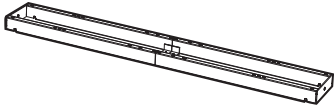
4 Things you need to know before installation

Please check all of the components shown in the component checklist. If any of the components are missing or damaged, contact your point of purchase for a replacement.

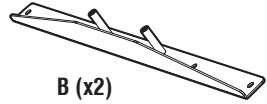


Disposal: The product with this mark indicates that this product shouldn't be disposed with other household wastes throughout the EU. To prevent possible harm to the environment or human health from uncontrolled waste disposal, recycle it responsibly to promote the sustainable reuse of material resources. To return your used device, please use the local recycle service or contact your point of purchase to withdraw the product.

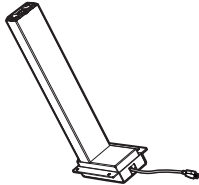
Component Checklist



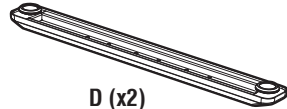
A (x1)
Crossbar



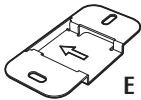
B (x2)
Side Bracket



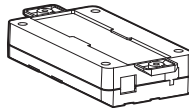
C (x2)
Lifting Column



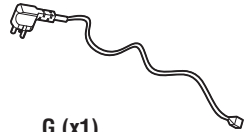
D (x2)
Foot



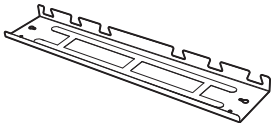
E (x1)
Fixing Plate



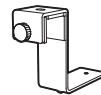
F (x1)
Control Box



G (x1)
Power Plug



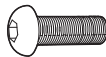
H (x1)
Cable Management Tray



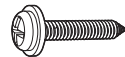
I (x2)
Tray Hanger



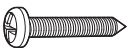
S-A (x8)
Hex Head Screw



S-B (x8)
Hex Head Screw



S-C (x10)
Phillips Head Screw + 1 Spacer



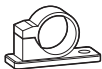
S-D (x2)
Phillips Head Screw



S-E (x2)
Phillips Head Screw



S-F (x4)
Phillips Head Screw



S-G (x3)
Cable Clip

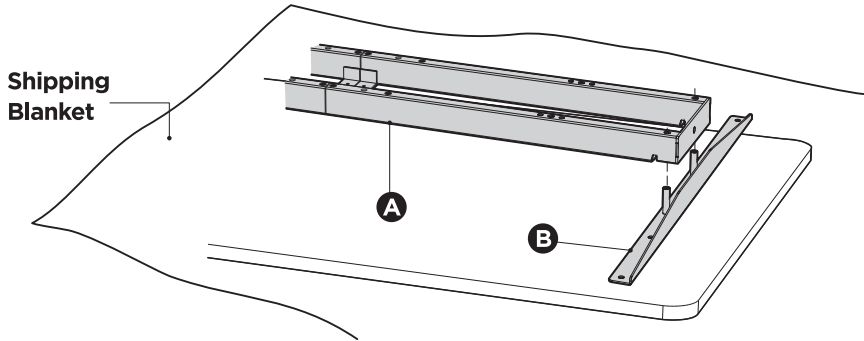


S-H (x10)
Anti-Vibration Pad



S-I (x1)
Allen Wrench

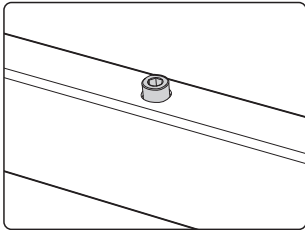
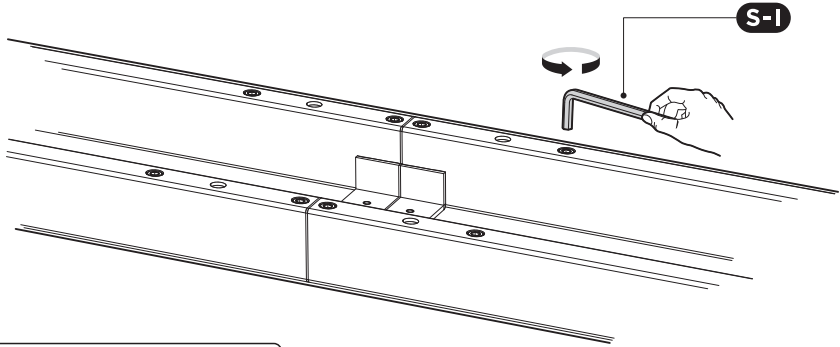
I Attaching Side Brackets



- Please prepare a spacious area for installation, and put a shipping blanket on the area to prevent scratches.
- Carefully place the desktop(not included) upside down on the blanket.
- Place the **crossbar A** and **side brackets B** on the top.
- Attach the **side brackets B** to the end of the **crossbar A**.
(This step doesn't require the use of the screws.)

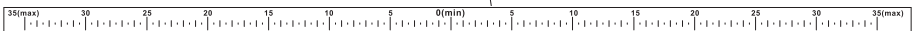
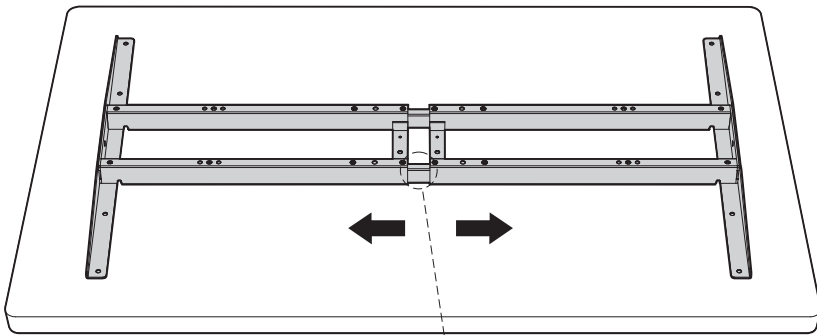
Note: The drawings of both of the crossbar and side brackets are the **backside** of the components. Please make sure the crossbar and side brackets keep facing down while installation, which is convenient for the further steps.

I Adjusting the Frame

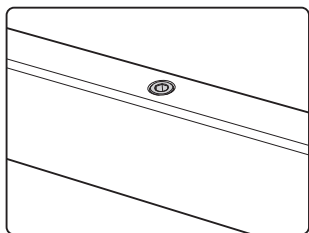
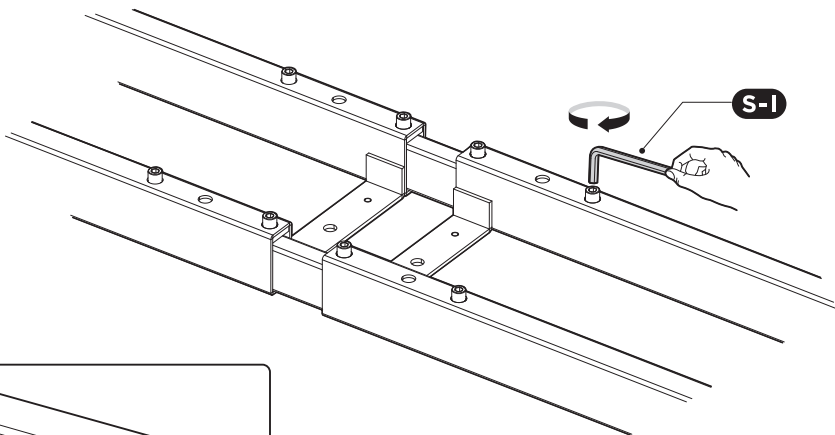


Loosen the hex head screws that fix the adjustable junction, but don't completely take out the screws.

- Ensure that the frame is placed in the center of the table.
- Then adjust the frame to suit the size of the tabletop.



When adjusting the frame position, please make sure it doesn't exceed the range of silk screen printing on the inner crossbar.

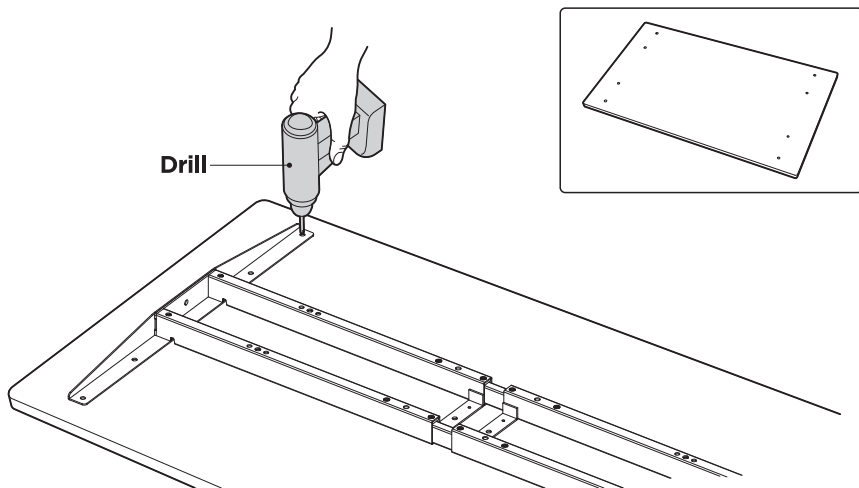


Retighten all the hex head screws to finish the adjustment.

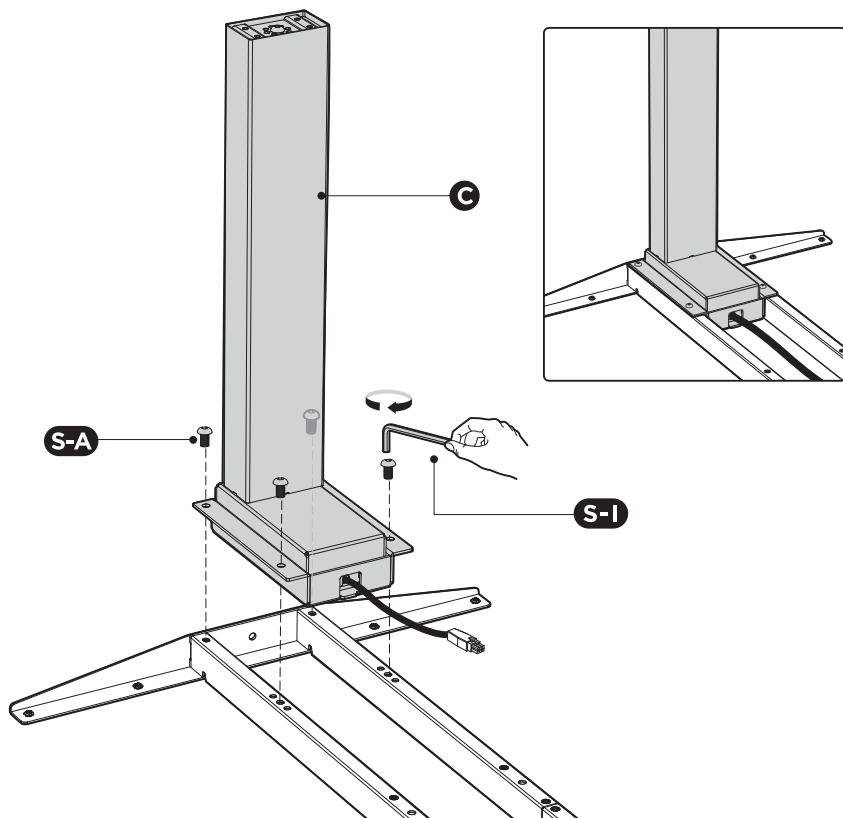
I Drilling Mounting Holes

Use a **drill** to make mounting holes on the backside of the tabletop through the 8 mounting holes on the side brackets.

Note: The depth of the mounting holes should be over **10mm** and the diameter should be less than **3mm**.

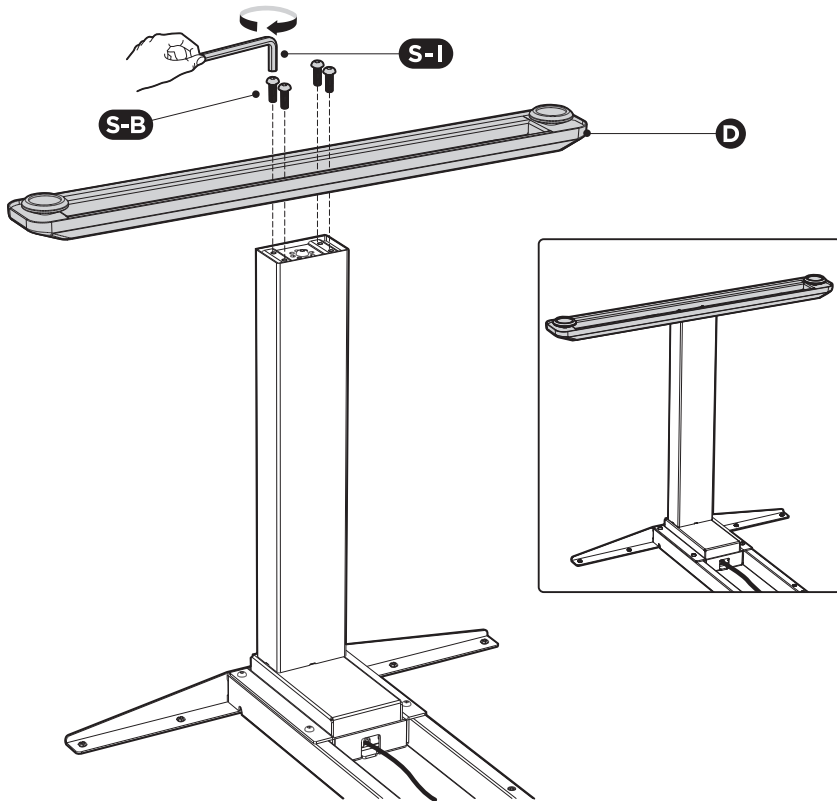


I Assembling the Lifting Columns



- Insert one lifting column into one end of the crossbar with the head of the lifting column facing inward. Make sure the mounting holes on the lifting column completely align with the screw holes on the crossbar.
- Fix the **lifting column C** with crossbar using **4 screws S-A** with the **Allen wrench S-I**.
- Repeat the same process to assemble the other lifting column.

I Assembling the Feet

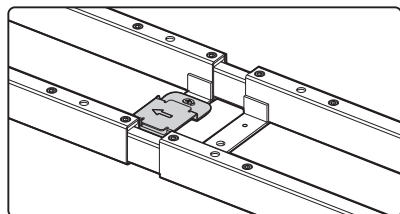
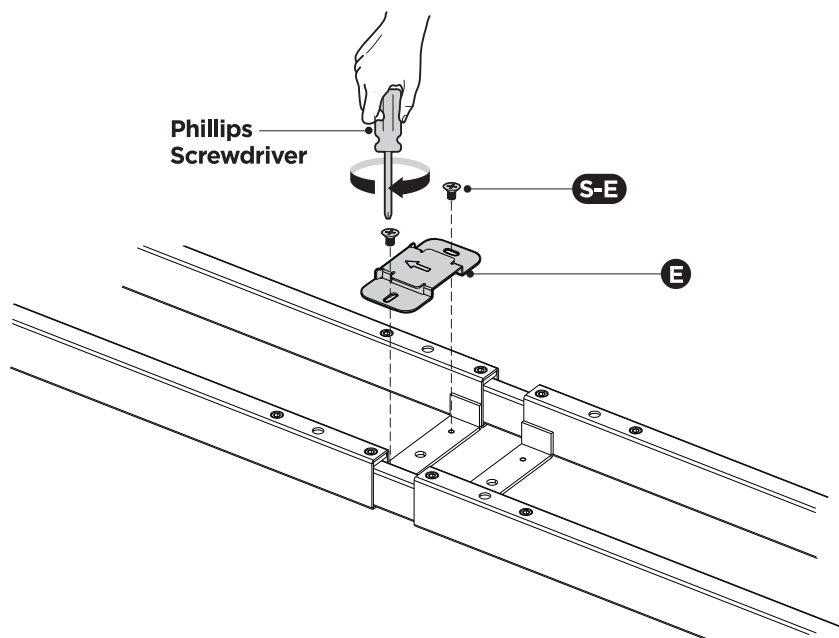


- Place the foot on the bottom of the lifting column. Align the mounting holes on the foot with the screw holes on the lifting column.
- Fix the **foot D** using **4 screws S-B** with the **Allen wrench S-I**.
- Repeat the same process to assemble the other foot.

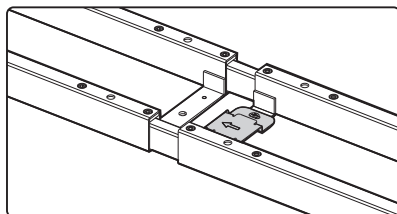
I Assembling the Fixing Plate

- Align the mounting holes on the fixing plate with the screw holes as shown.
- Attach the **fixing plate E** on the center of the crossbar with **2 screws S-E** using a **Phillips screwdriver**.

Note: The arrow on the fixing plate indicates the direction of sliding in the control box. Follow the direction of the arrow to mount the control box in the next step.



OR

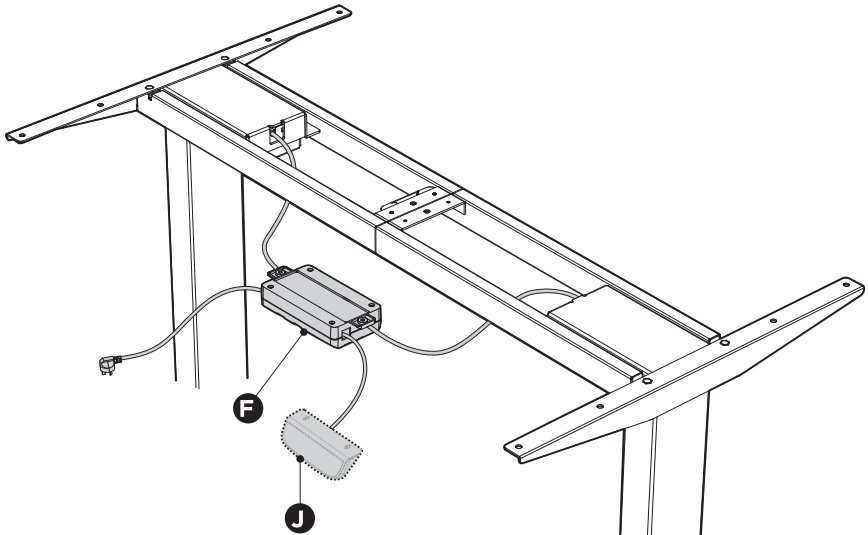


The fixing plate can be attached to either of the right side and the left side.

I Attaching the Control Box

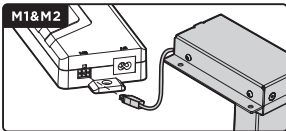


- Turn over the desk frame with the crossbar facing up.
At least two people are required when turning over the desk frame. If only one person turns over the desk frame, serious bodily injuries might occur.
- Connect the cords, control box and motors.

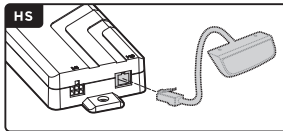


Note:

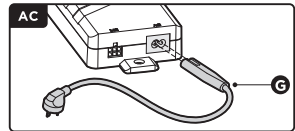
- Please make sure the slot on the **control box F** is facing upward. There is no corresponding relation between the motor ports and the lifting columns.
- The picture of the controller is for your reference only. Actual product may vary.



- Connect the two motor cords to the two ports marked "M1" and "M2" (one on each side of the control box).

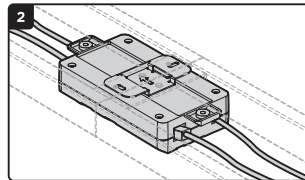
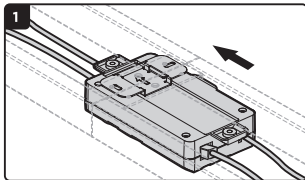
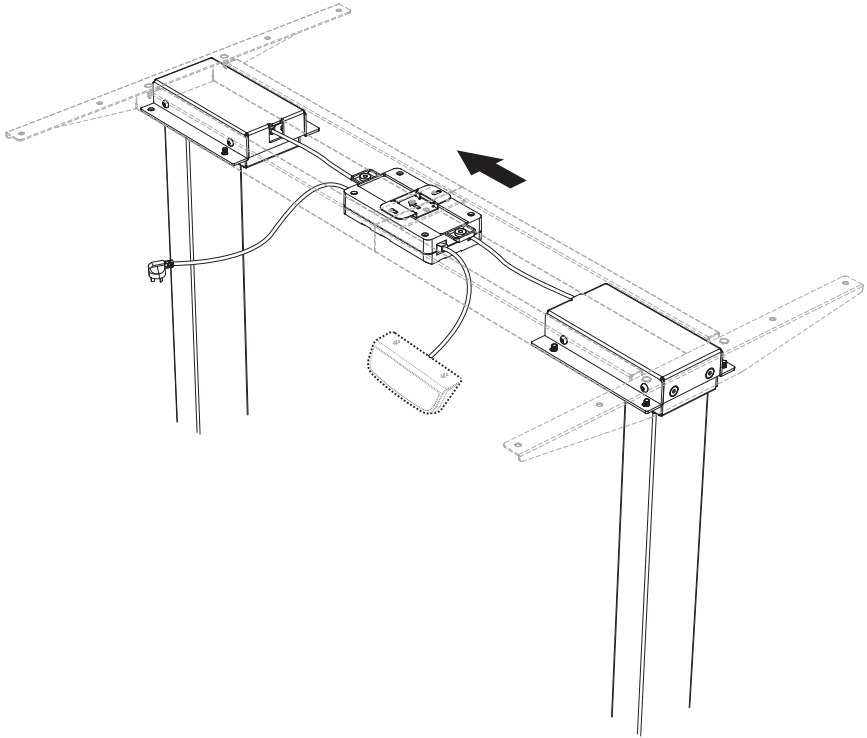


- Connect the **controller J** cord to the port marked "HS".



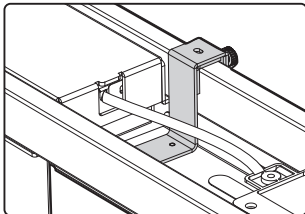
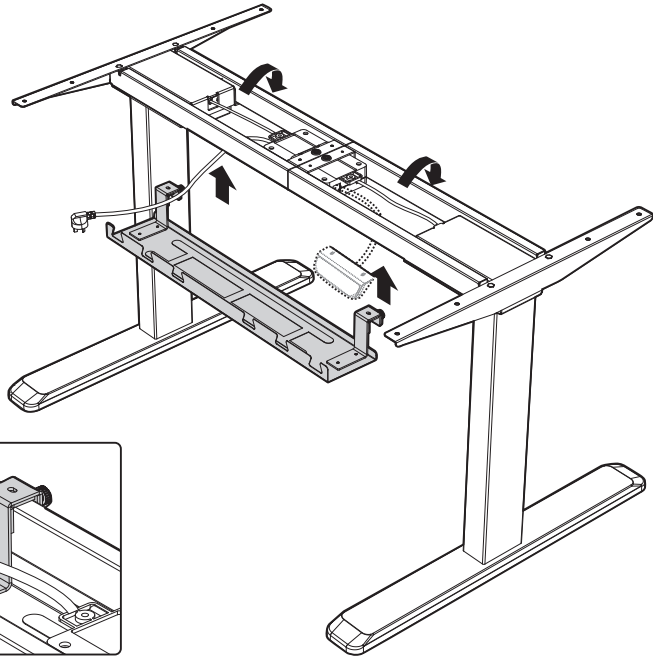
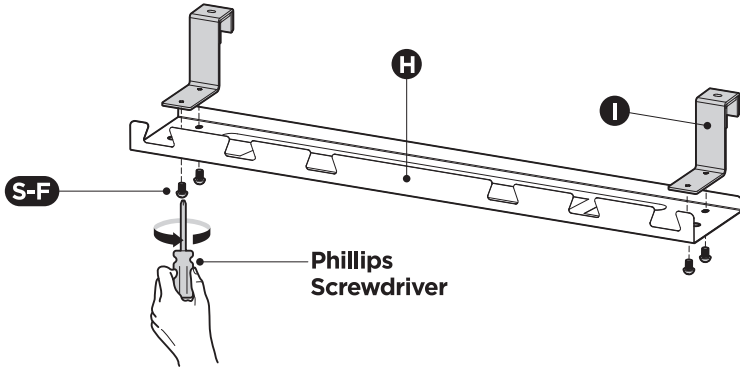
- Insert the **power plug G** in the port marked "AC".

- The arrow on the fixing plate indicates the direction of sliding in the control box.
- Follow the direction of the arrow to mount the control box.
- Slide the control box to the center of fixing plate.

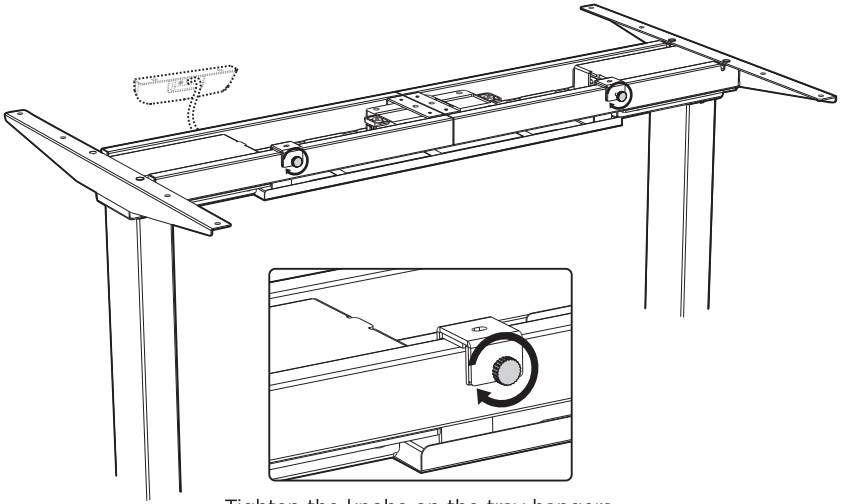


I Assembling the Cable Management Tray

- Align the mounting holes on the **tray hangers I** with the screw holes on the cable management tray.
- Assemble the tray hangers to the **cable management tray H** with **4 screws S-F** from below using a **Phillips screwdriver**.



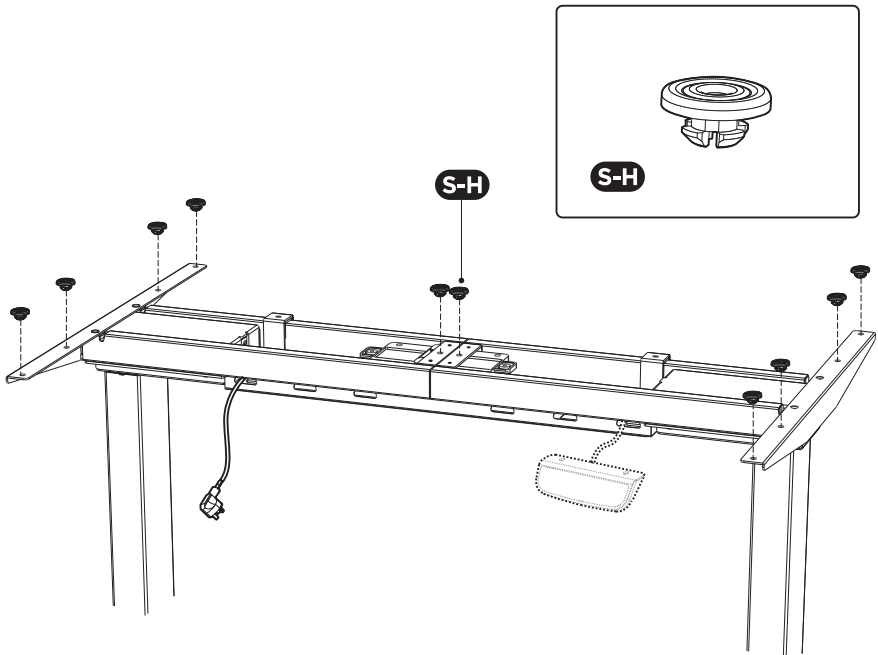
Hang the cable management tray on the crossbar as shown.



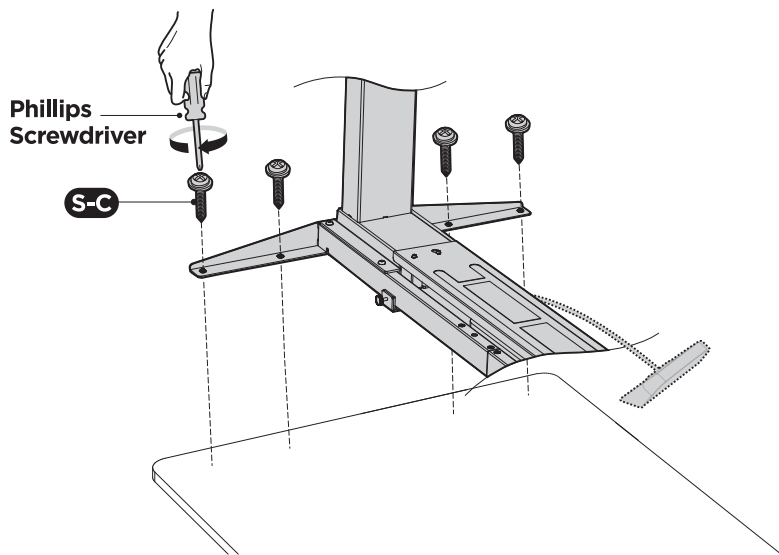
Tighten the knobs on the tray hangers.

I Assembling the Desktop

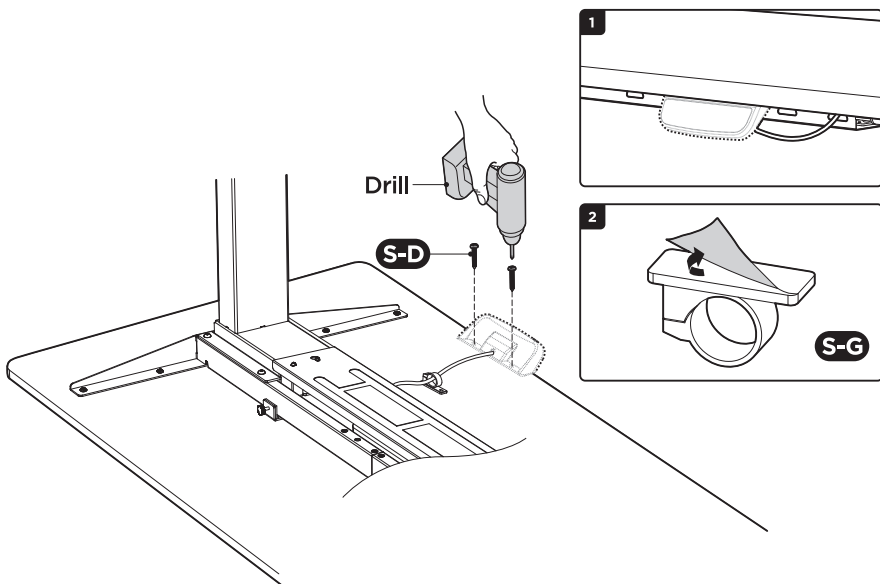
Attach the **anti-vibration pad (S-H)** to the surface of the crossbar on the ten positions as shown.



- Align the previously drilled screw holes with the mounting holes on the crossbar. Insert and tighten the **4 screws S-C** from below.
- Repeat the same process to assemble the other side of the desktop.



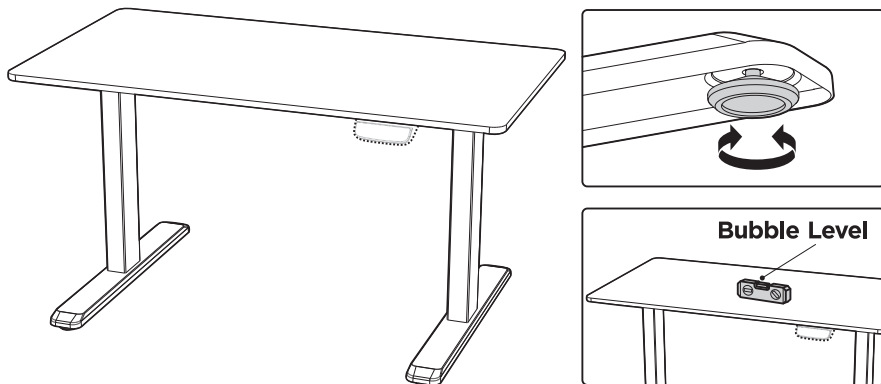
- Attach the controller to the desktop with **2 screws S-D** using a **driller**.
- Stick the adhesive **clip S-G** under desk to organize cords.



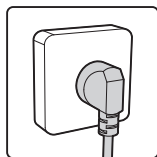
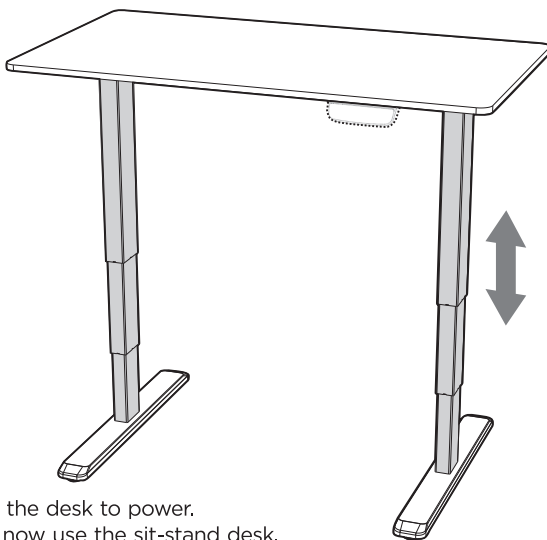
I Level Adjustment

There are two adjustable foot pads under each foot. If the floor isn't even, simply turn the pad to adjust the level to make the desk stable.

Tip: Use a **bubble level** to check if the desktop is even.



I Height Adjustment

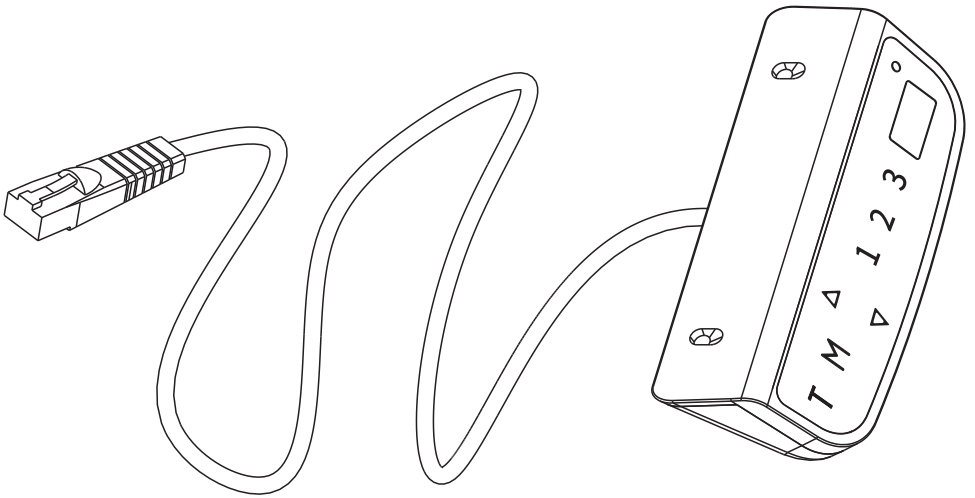


Connect the desk to power.
You can now use the sit-stand desk.

Note: We have another manual of the digital controller for detailed instruction. Please check the Digital Control Panel For Electric Height Adjustable Desk User Guide.

Digital Control Panel For Electric Height Adjustable Desk

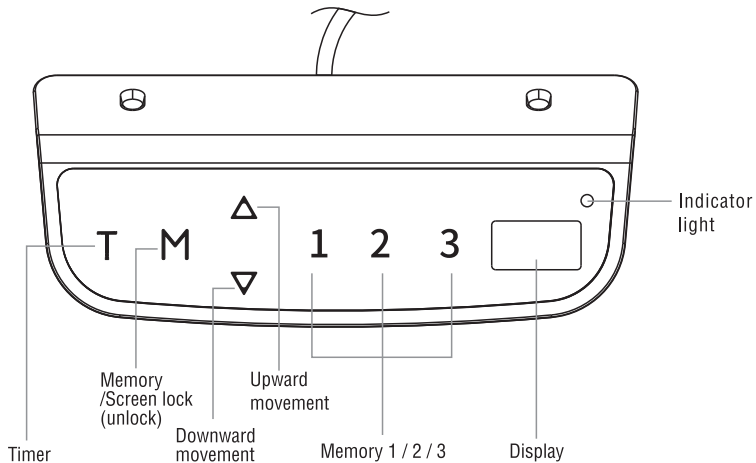
Installation Instruction & User Guide



Model: CT-08

1

Operating Control Panel



Operation Instruction:

Height Adjustment: Press and hold the up/down button to lift/lower the desk. Press and release the button to lift/lower the desk precisely.

Timer: The timer is designed to inform users to stand up after a set period of time. Press the "T" button to set the period of time. The display will flash "0.5 h" for 0.5 hour. Each press of the "T" button leads to a 0.5 hour increment. The maximal setting of time is 2 hours. When the display stops flashing, then the period of time is successfully set. And the indicator light on the top right of panel will be on. When the set time is up, the buzzer will beep to remind the users. The timer will turn off automatically after five beeps. To cancel the timing, press "T" button for 5 times until the display shows the current height and the indicator light is off.

Memory Setting: Adjust the desk to your desired position. Press the "M" button, then "S" appears on the display. Meanwhile press "1", "2" or "3", the memory is successfully set. Press "1", "2" or "3" to get to the programmed memory position. Press any button to stop the motion.

Screen Lock/Unlock: Note: To auto-lock/lock/unlock, please ensure the lockable display function is ON first. For this CT-08 touch digital control, screen lock function is ON by default. Refer to "PART 3 – Custom Programming Guide" and change the screen lock setting.

- Auto-lock: When no actions are made for over 1 minutes, the screen will lock automatically and the display shows "----".
- To lock: press "M" for 3s and the display shows "----". The screen has been locked and any operation is invalid.
- To Unlock: press "M" for 3s and the display shows the current height.

Changing between CM and INCH: Press "T" for 8s. From "cm" to "inch", beeps twice. From "inch" to "cm" beeps once.

Reset Mode: Press "UP" and "DOWN" simultaneously until the buzzer beeps.

(The desk will move down to the lowest position then raise a little. Please make sure you never release the button during the process.)

2

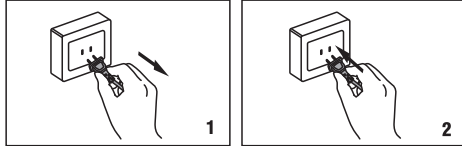
Troubleshooting Guide

In Front

This repair guide intends to help you identify and solve the minor problems caused by unusual operation of the electric system of our sit-stand desk. **If the following guides can't help solve the problems, please contact your point of purchase for service and replace the accessories.**

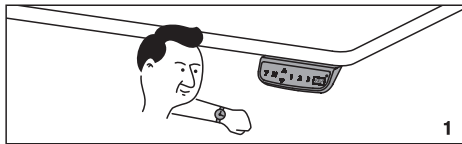
E01/E07 Troubleshooting

The system has experienced unusual electrical problems. Disconnect the power first, then wait for 30s (until the display stays off) and reconnect.



HOT Troubleshooting

System overheating. Allow your desk to cool down and remain idle for approximately 18 minutes.



Error No.	Description	Solution	Error No.	Description	Solution
E02	Column of height difference	Reset the system	E16/E26	Motor failure	Reset the system
E04	Digital controller connection error	Check the connection then reconnect the power	E17	Desk run in wrong direction	Replace the motor cord (M1)
E05	Collision avoidance system	Release the button	E18/E28	Weight overload	Remove the items on the desktop
E06	Electrical Problem	Replace the control box	E21	No connection	Check the connection (M2)
E08	Uneven desktop	Reset the system	E23	Motor wire broken	Check then replace the motor cord (M2)
E11	No connection	Check the connection (M1)	E24	Hall wire broken	Check then replace the motor cord (M2)
E12/E22	Abnormal current	Replace the control box	E25	Short circuit	Replace the motor (M2)
E13	Motor wire broken	Check then replace the motor cord (M1)	E27	Desk run in wrong direction	Replace the motor cord (M2)
E14	Hall wire broken	Check then replace the motor cord (M1)	E42	Memory function failure	Replace the control box
E15	Short circuit	Replace the motor (M1)	E43	Sensor failure of collision avoidance system	Replace the control box

3

Custom Programming Guide

Note: Press "M" and "T" simultaneously for 5s, the buzzer beeps once and the "S-1" is displayed. You have enter the setting menu successfully. The setting process will exit automatically if no action for 10s. You can cancel the unsaved settings by pressing "T".

• Minimum & Maximum Height Settings

To set a minimum height limit

1. Press "M" and "T" simultaneously for 5s, the buzzer beeps once and the "S-1" is displayed.
2. Press "M" once, then press "UP"/"DOWN" to set your desired min. height.
3. Press "M" to save. "L-S" will be displayed if successfully save while "L-F" shows fail

Note: Default min. height is 62cm(24.4"), and the adjustable range is 62-118cm(24.4"-46.4").

To set a maximum height limit

1. Press "M" and "T" simultaneously for 5s, the buzzer beeps once and the "S-1" is displayed.
2. Press "UP"/"DOWN" and switch to "S-2"
3. Press "M" once, then press "UP"/"DOWN" to set your desired max. height.
4. Press "M" to save. "H-S" will be displayed if successfully save while "H-F" shows fail.

Note: Default max. height is 128cm(50.4"), and the adjustable range is 72-128cm(28.3"-50.4").

• Adjust the Anti-Collision Sensitivity (Current Sensor)

To set a upwards current sensitivity

1. Press "M" and "T" simultaneously for 5s, the buzzer beeps once and the "S-1" is displayed.
2. Press "UP"/"DOWN" and switch to "S-3"
3. Press "M" once, then press "UP"/"DOWN" to change the sensitivity level.
4. Press "M" to save. "S-S" will be displayed if successfully save while "S-F" shows fail.

Note: Default sensitivity is 4, and the adjustable range is 0-8. (0: off/8: maximum)

To set a downwards current sensitivity

1. Press "M" and "T" simultaneously for 5s, the buzzer beeps once and the "S-1" is displayed.
2. Press "UP"/"DOWN" and switch to "S-4"
3. Press "M" once, then press "UP"/"DOWN" to change the sensitivity level.
4. Press "M" to save. "S-S" will be displayed if successfully save while "S-F" shows fail.

Note: Default sensitivity is 4, and the adjustable range is 0-8. (0: off/8: maximum)

• Adjust the Anti-collision Sensitivity(Gyro Sensor)

1. Press "M" and "T" simultaneously for 5s, the buzzer beeps once and the "S-1" is displayed.
2. Press "UP"/"DOWN" and switch to "S-5"
3. Press "M" once, then press "UP"/"DOWN" to change the sensitivity level.
4. Press "M" to save. "S-S" will be displayed if successfully save while "S-F" shows fail.

Note: Default sensitivity is 4, and the adjustable range is 0-8. (0: off/8: maximum)

• Displays Height Currently (with Desktop Thickness)

1. Press "M" and "T" simultaneously for 5s, the buzzer beeps once and the "S-1" is displayed.
2. Press "UP"/"DOWN" and switch to "S-6"
3. Press "M" once, then press "UP"/"DOWN" to set your desired desktop thickness.
4. Press "M" to save. "T-S" will be displayed if successfully save while "T-F" shows fail.

• Screen Lock Setting

1. Press "M" and "T" simultaneously for 5s, the buzzer beeps once and the "S-1" is displayed.
2. Press "UP"/"DOWN" and switch to "S-7"
3. Press "M" once, then press "UP"/"DOWN" to change the screen lock setting. (0: off/1: on)
4. Press "M" to save. "A-S" will be displayed if successfully save while "A-F" shows fail.

• To Save the Customized Settings at one time

(eg: save the max. and min. limit height at one time)

After adjusting the min. height limit, press "T" to get back and enter "S-2" to adjust the max. height limit. Once finish, press "M" to save both settings.

• To Reset the Customized Settings

Press "M", "T" and "UP" simultaneously for 5s until buzzer beeps.