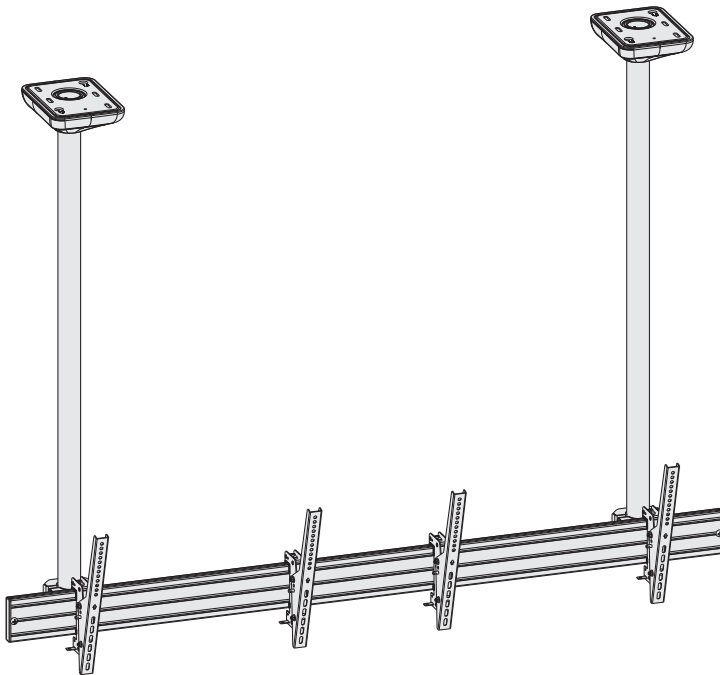




45"-55" Dual Screen Ceiling Mount




650373



200x200/300x300
400x200/400x400
600x400



INSTALLATION MANUAL

 **Read the entire instruction manual before you start installation and assembly. If you have any questions regarding any of the instructions or warnings, please contact your local distributor for assistance.**

CAUTION

- Use with products heavier than the rated weights indicated may result in instability causing possible injury.
- Please closely follow the assembly instructions. Improper installation may result in damage or serious personal injury.
- Safety gear and proper tools must be used. This product should only be installed by professionals.
- This product is designed to be installed on concrete ceiling only.
- Make sure that the supporting surface will safely support the combined weight of the equipment and all attached hardware and components.
- Use the mounting screws provided and **DO NOT OVER TIGHTEN** mounting screws.
- This product contains small items that could be a choking hazard if swallowed. Keep these items away from children.
- This product is intended for indoor use only. Using this product outdoors could lead to product failure and personal injury.

Required for Installation



Component Checklist

IMPORTANT: Ensure that you have received all parts according to the component checklist prior to installation. If any parts are missing or faulty, contact your place of purchase for a replacement.



mounting rail (x1)
A



collar (x2)
B

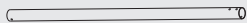


TV bracket (x4)
C



end cap (x2)
D

Component Checklist



pole (x2)
E



ceiling plate (x2)
F



end cap (x2)
G



end cap (x2)
H



end cap (x2)
I



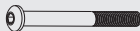
cable clip (x4)
J



sliding nut (x10)
K



M8x12 (x12)
L



M8x80 (x6)
M



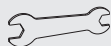
M8x10 (x2)
N



M8 (x6)
O



D8 washer (x2)
P



Double Ended
Crescent Wrench (x1)
Q



4mm Allen Key (x1)
R



5mm Allen Key (x1)
S

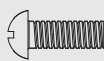


locking piece (x4)
T



mounting template (x1)
U

Package M x2



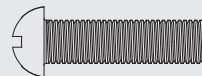
M5x14 (x4)
M-A



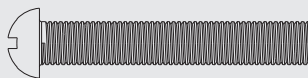
M6x14 (x4)
M-B



M6x30 (x4)
M-C



M8x30 (x4)
M-D



M8x50 (x4)
M-E



washers (x4)
M-F

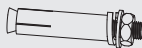


small spacers (x8)
M-G



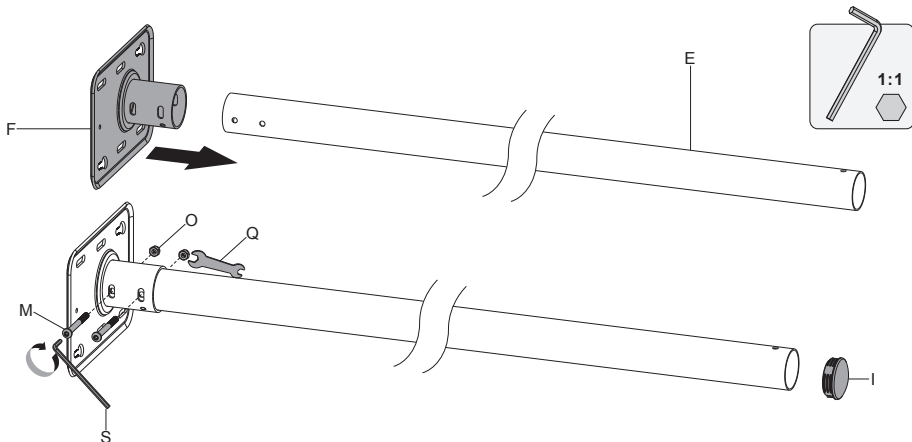
big spacers (x8)
M-H

Package W x2

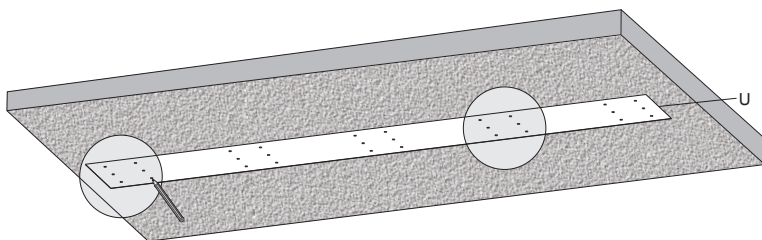
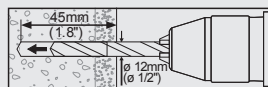
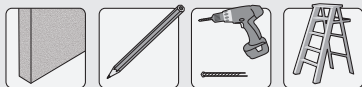


expansion bolt (x6)
W-A

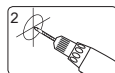
1. Assemble the Pole



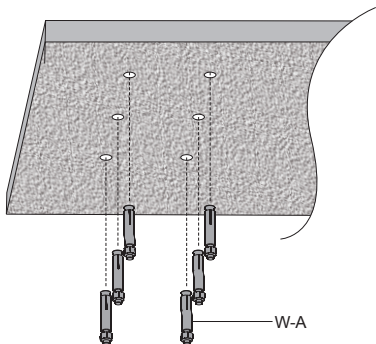
2. Attach Ceiling Plate to the Concrete Ceiling



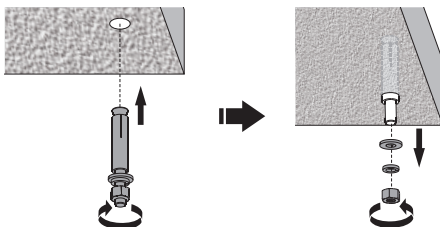
Mark the exact location of mounting holes

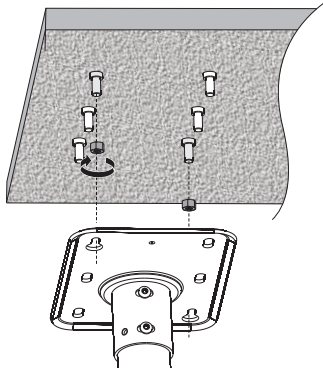


Drill pilot holes

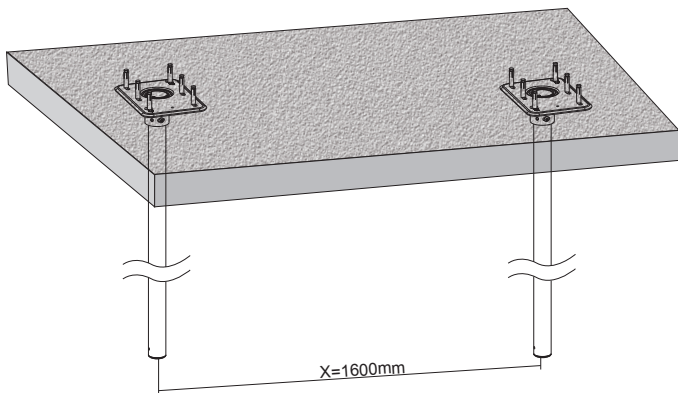
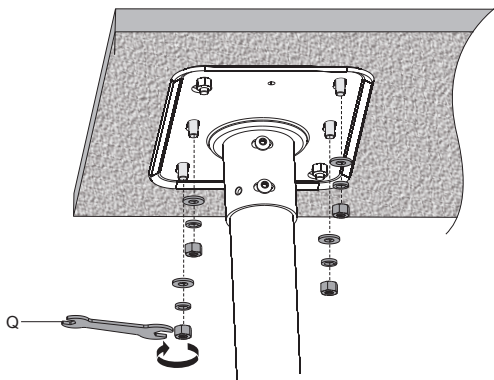
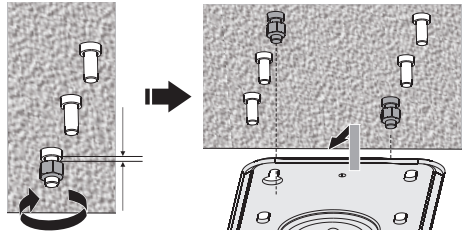


Insert the expansion bolts into the hole as shown. Once inserted, remove the washers and hex nuts.





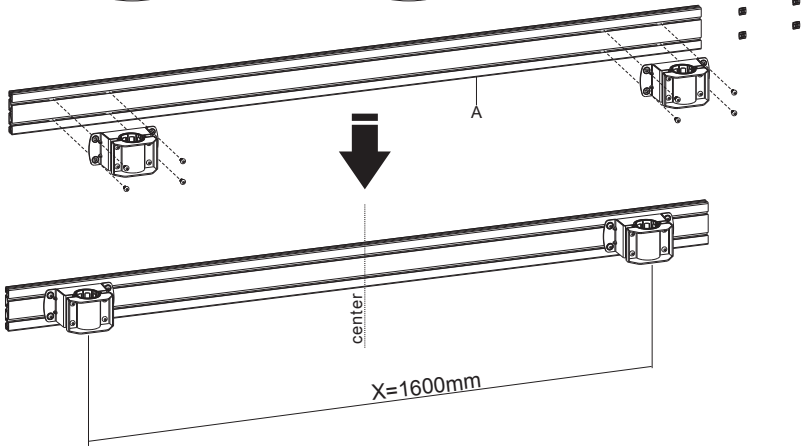
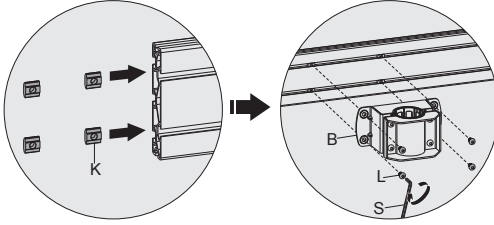
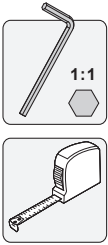
Attach the hex nuts to the expansion bolts corresponding to the keyhole pattern found on the ceiling plate. Do not overtighten and leave a small gap so the ceiling plate will slide into the keyhole slots.



WARNING

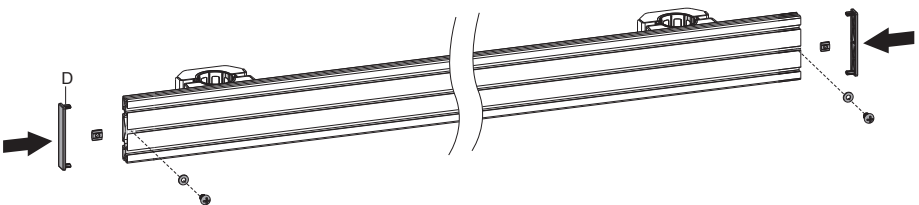
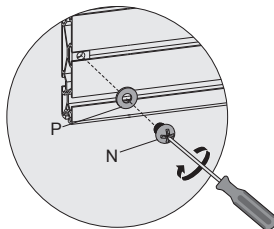
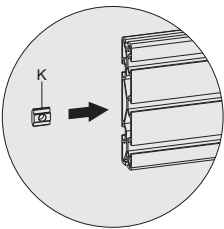
Installers must verify that the supporting surface will safely support the combined weight of the equipment and all attached hardware and components.

3. Attach Collar to the Mounting Rail

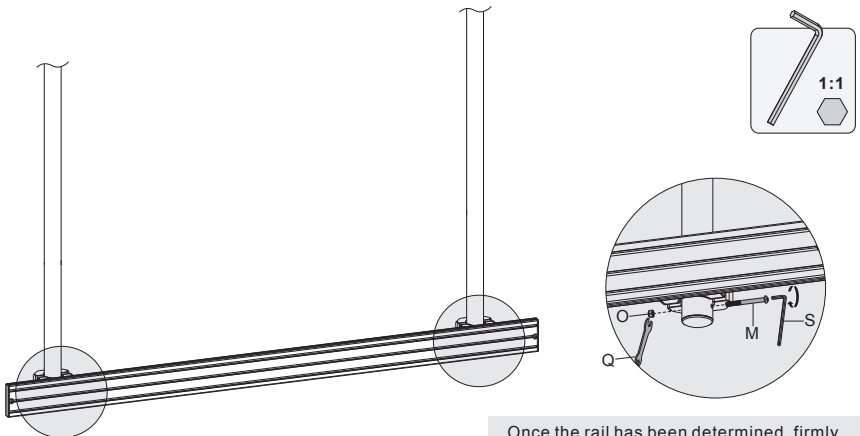
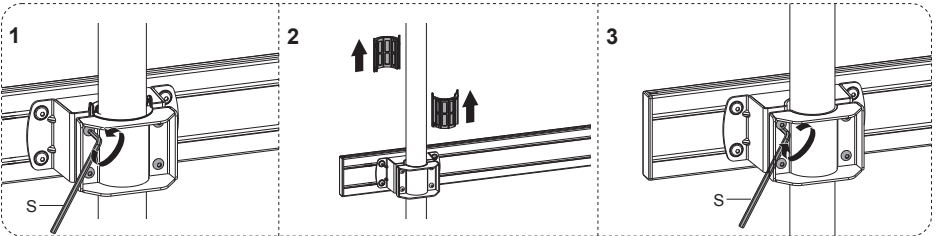
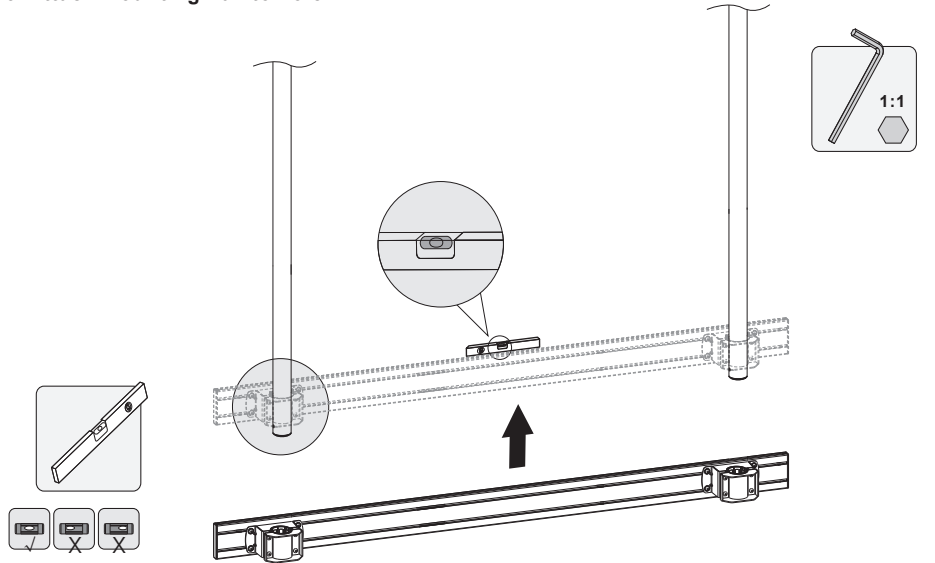


Note: • Keep the mounting direction of collars are the same.
• Ensure the gap between the collar halves on both sides are equal.

4. Install the End Cap

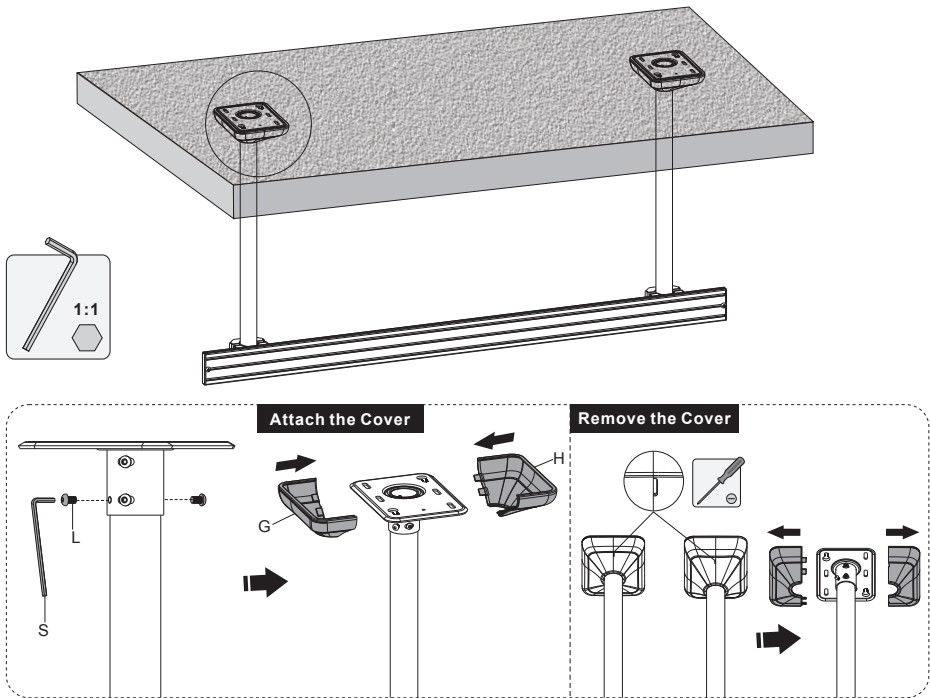


5. Attach Mounting Rail to Pole

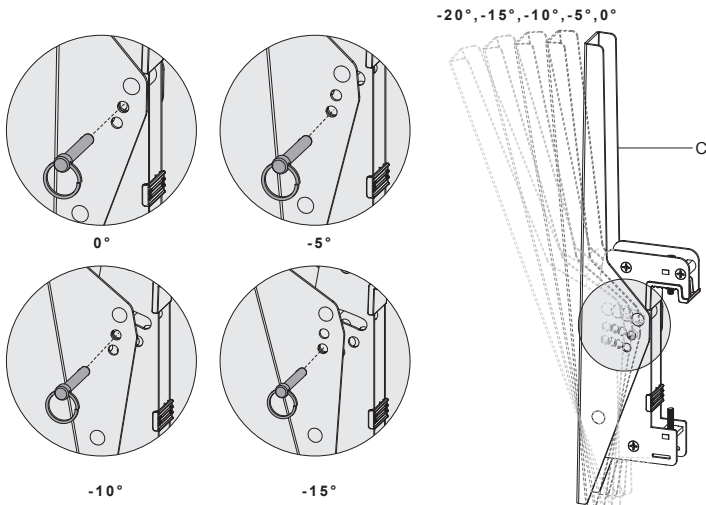


Once the rail has been determined, firmly tighten the bottom rail to the mounting poles as shown prior to mounting the displays.

6. Install the Plastic Cover



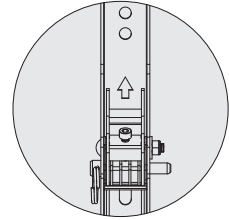
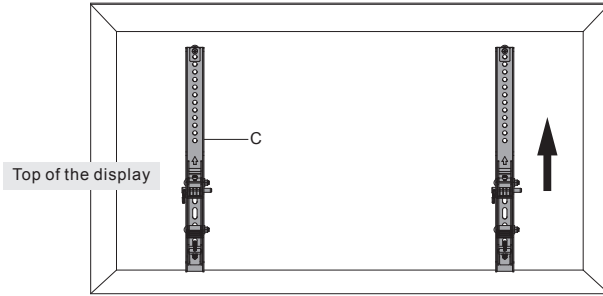
7. Tilt Adjustment



-20° is the natural angle and the safety pin is unnecessary.

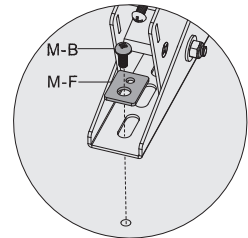
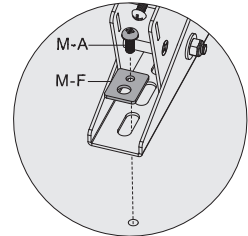
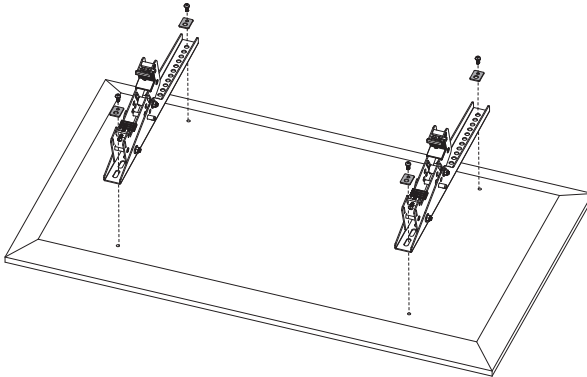
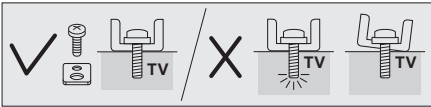
8. Attach TV Bracket

Position the adapter brackets as close as possible to the center of the display.






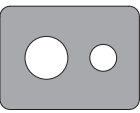


With the arrow pointing up

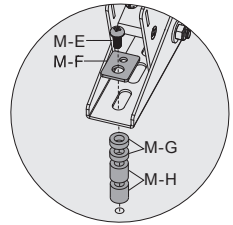
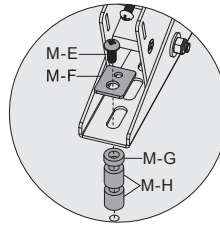
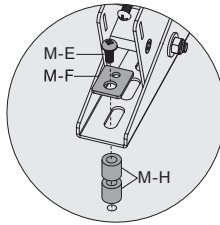
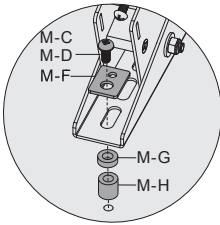
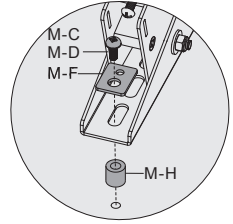
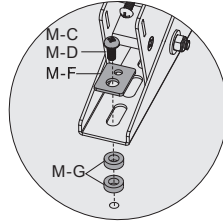
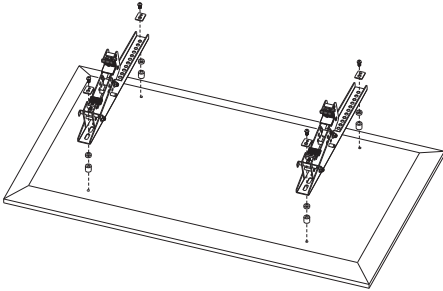
8.1 Attach TV Bracket to Flat Back Screen





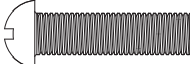




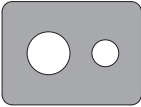




4:1

<p>M-A</p> 		<p>M-B</p> 	
<p>M-F</p> 			

8.2 Attach TV Bracket to Irregular Back Screen



1:1

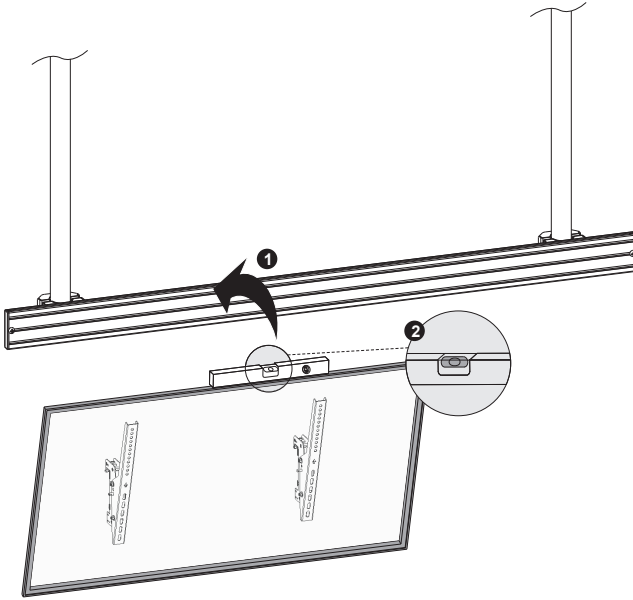
M-C  		M-D  	
M-E  		M-F  	
M-G  		M-H  	

Note: Choose the appropriate screws, washers and spacers (if necessary) according to the type of screen.



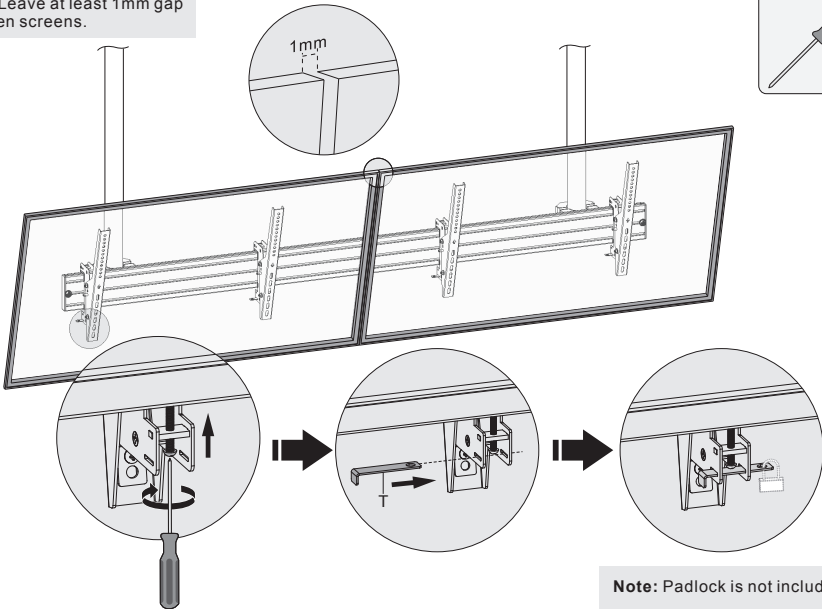
Do not overtighten screws.

9. Hang the Screen



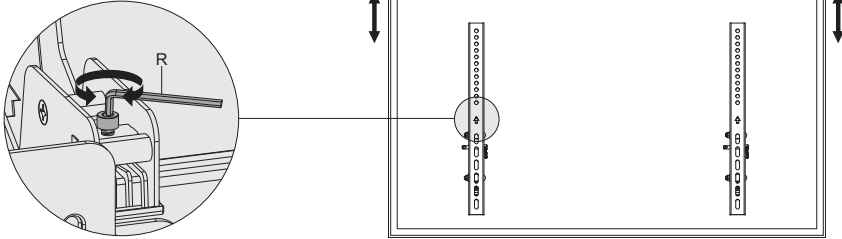
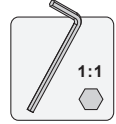
10. Secure with Padlock

Note: Leave at least 1mm gap between screens.

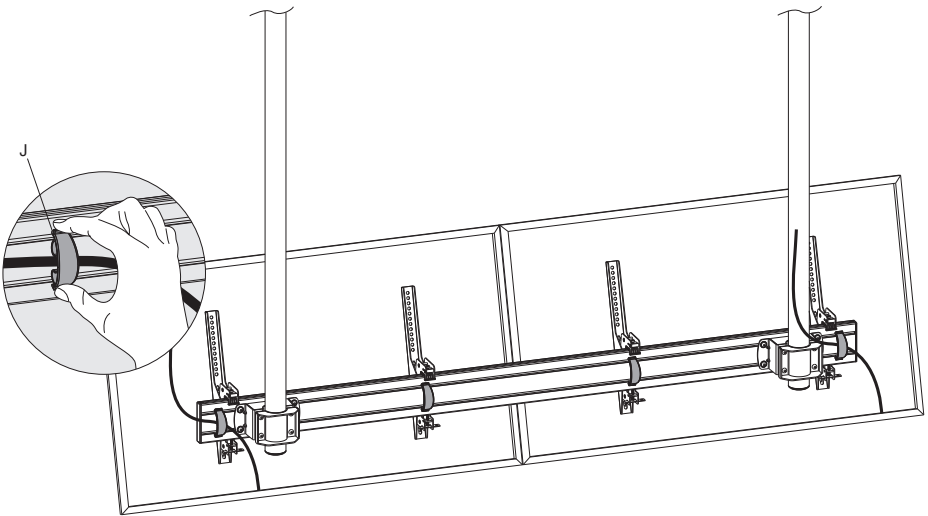


Note: Padlock is not included.

11. Level Adjustment



12. Cable Management



Maintenance

- Check that the bracket is secure and safe to use at regular intervals(at least every three months).