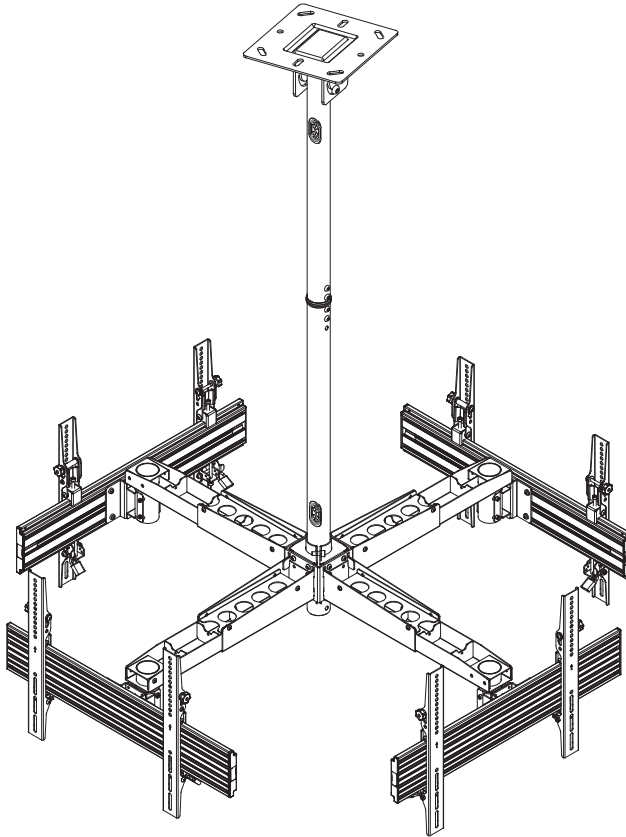




32" ~65" Ceiling Mount Quad Screen TV Bracket



650372

VESA
100x100mm 600x400mm
compatible

Support
32" - 65"
Screen Size

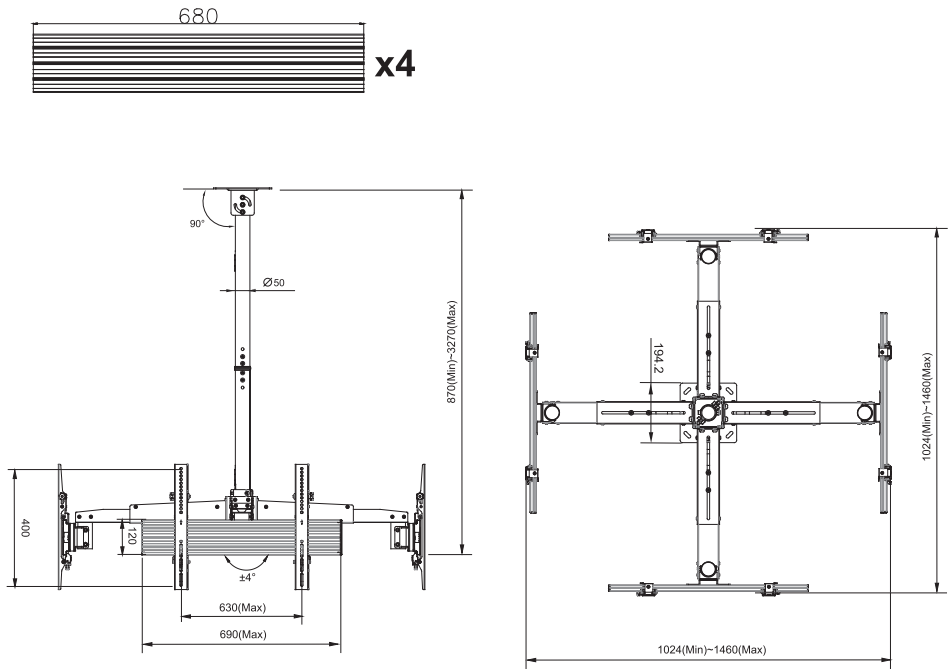
Max Load Capacity
30kg/66lbs
Per Screen

INSTALLATION MANUAL





⚠ WARNING

- Be sure to read this entire manual thoroughly and you fully understand all the instructions and warning before attempting to begin your installation.
- This product should only be installed by someone who has a basic knowledge of building construction, installations and fully understands these instructions.
- Always have someone assist you to lift and position your equipment.
- Tighten screws and bolts firmly, but do not over tighten. Over tightening can damage the items and greatly reduce their ability to hold. Please refer to suggested torque values where applicable in these instructions.









Dimensions









Parts list

A1	A2	A3	A4
M5X15 	M6X15 	M8X15 	Ø16XØ6.2X1.5 
X4	X4	X4	X4

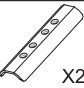


X4

B1	B2	B3	B4	B5	B6
M8X12 	Ø16XØ8.2X1.5 	4/5/6mm  	M5  	M6X8 	M8 
X16	X16	X1(Each) X1	X1 X8	X24	X16

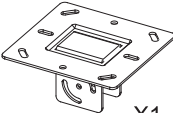
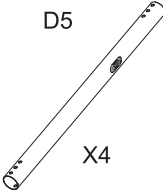
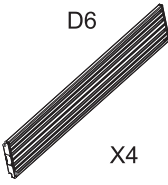
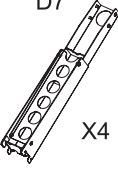
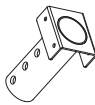
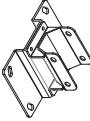



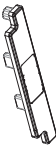
X1

C1	C2	C3	C4	C5	C6
M8X70 	Ø16XØ8.2X1.5 	M8 	Lag bolt 	Anchor 	M8x65 
X3	X12	X12	X6	X6	X9

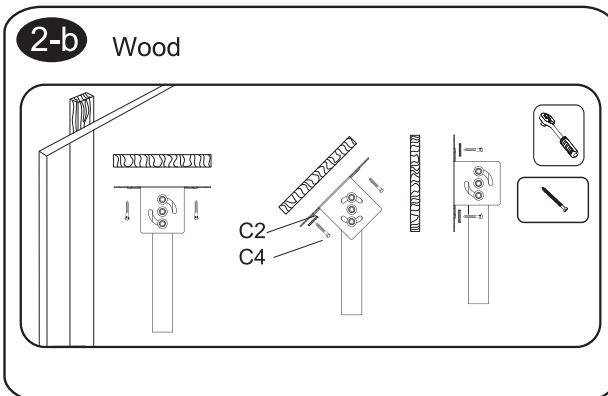
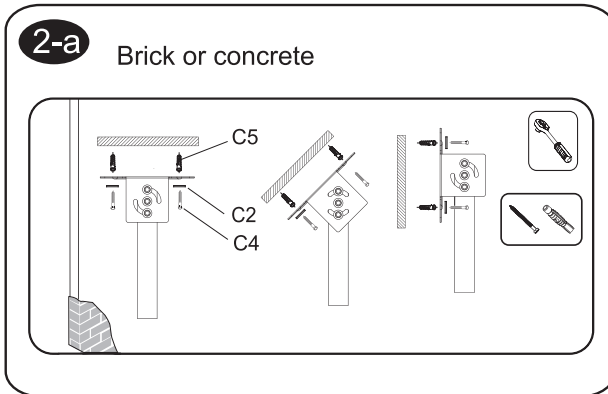
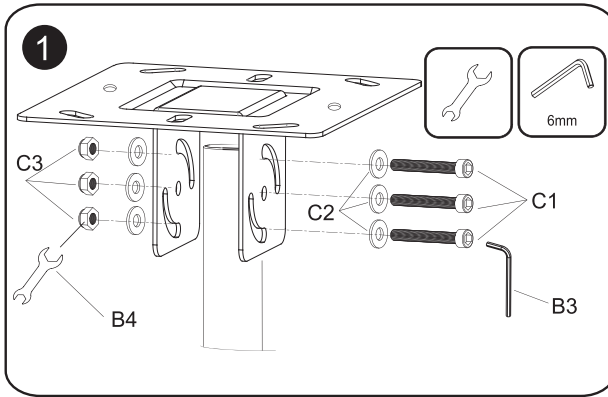
X1

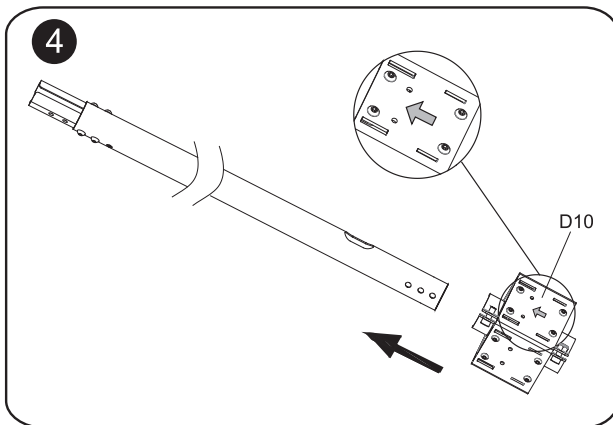
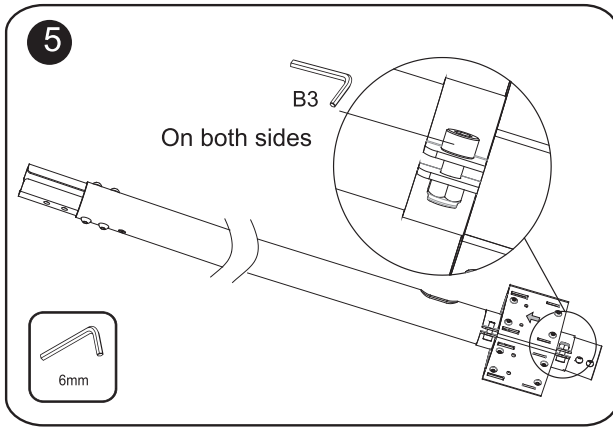
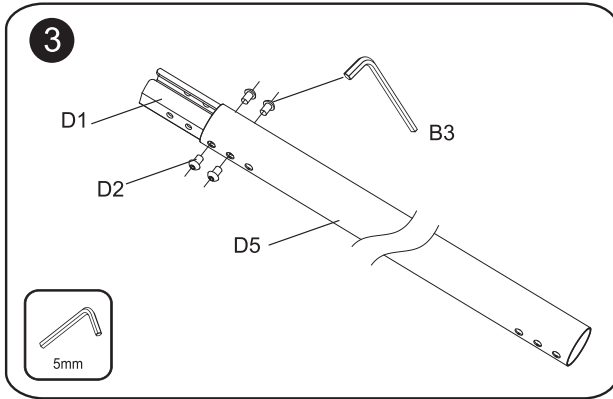
D1	D2	D3
	M8X12 	
X2	X8	X1

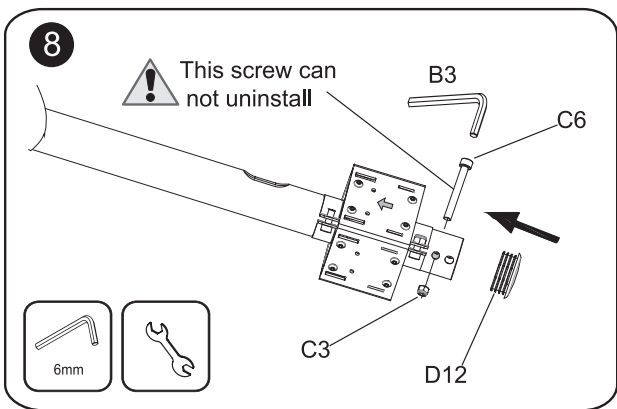
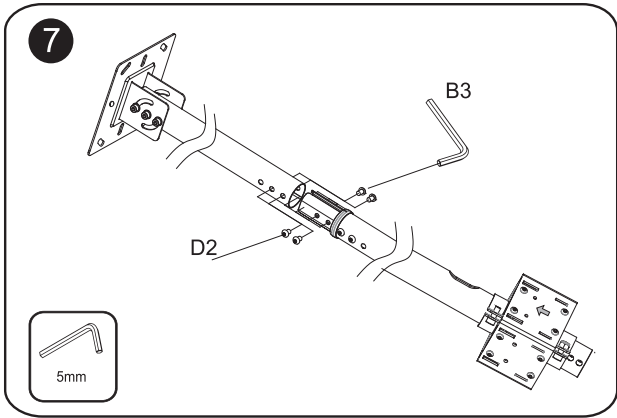
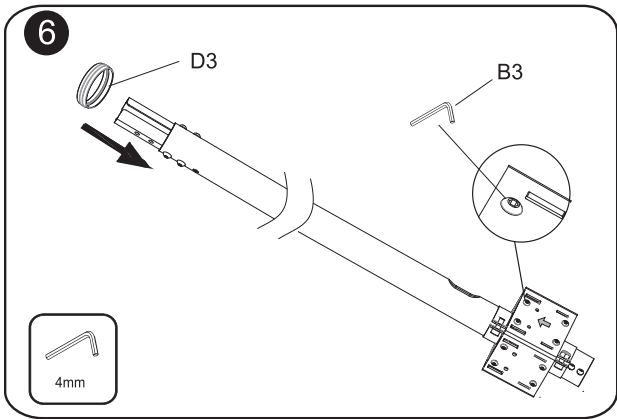
X3

D4 	D5 	D6 	D7 		
X1	X4	X4	X4		
D8 	D9 	D10 	D11 	D12 	D13 
X4	X4	X1	X8	X1	X8

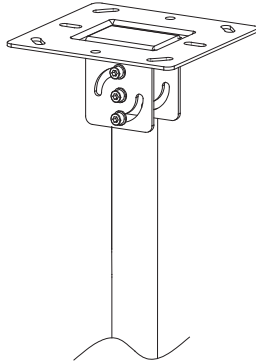
Installation



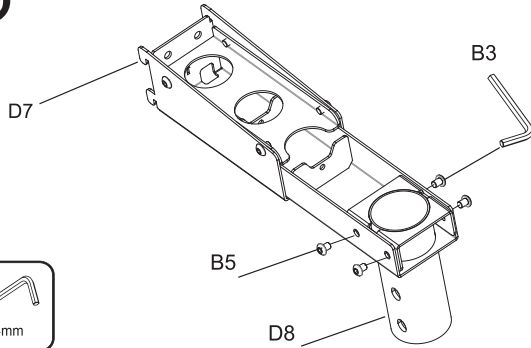




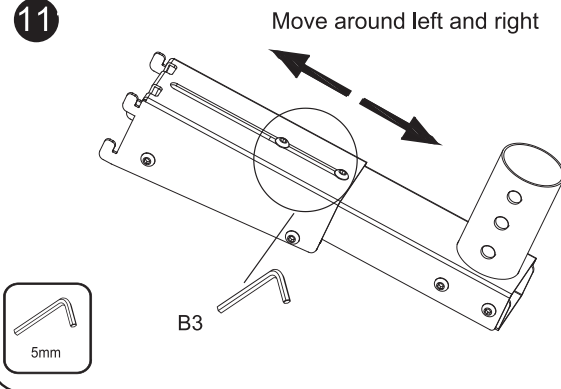
9



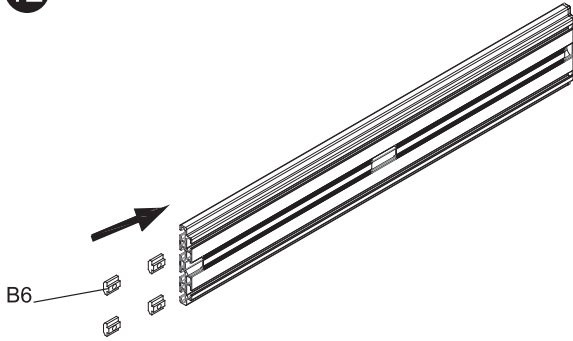
10



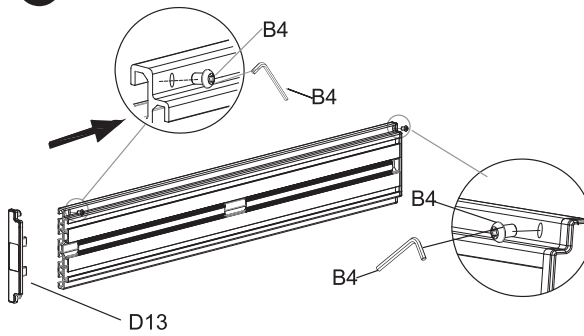
11



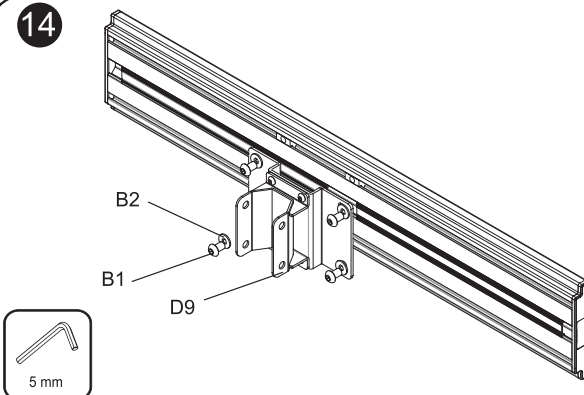
12

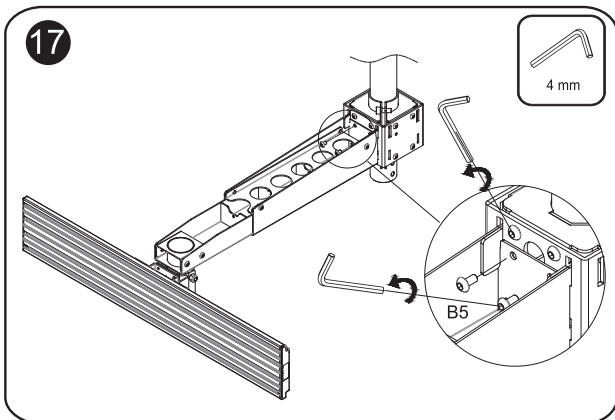
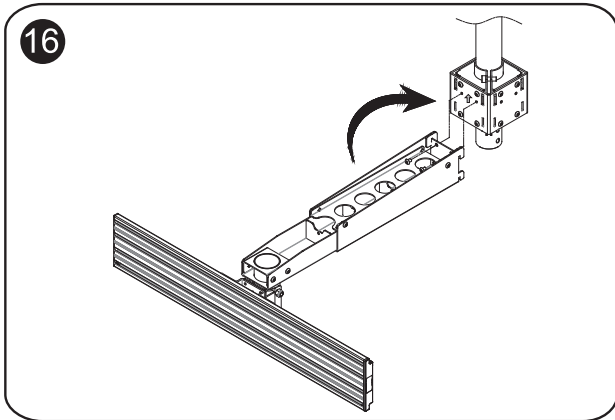
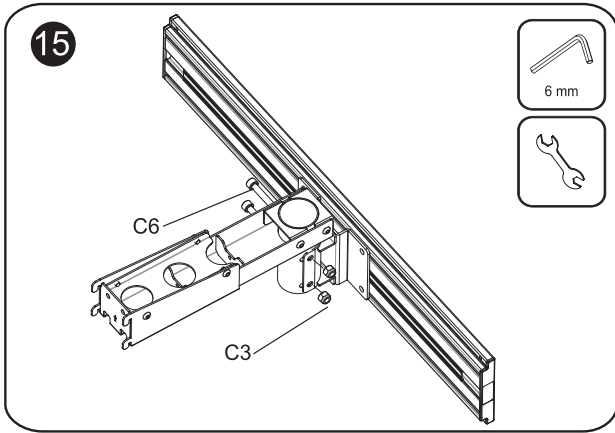


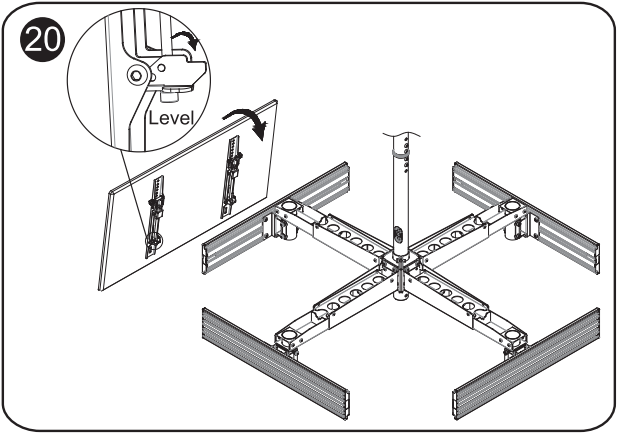
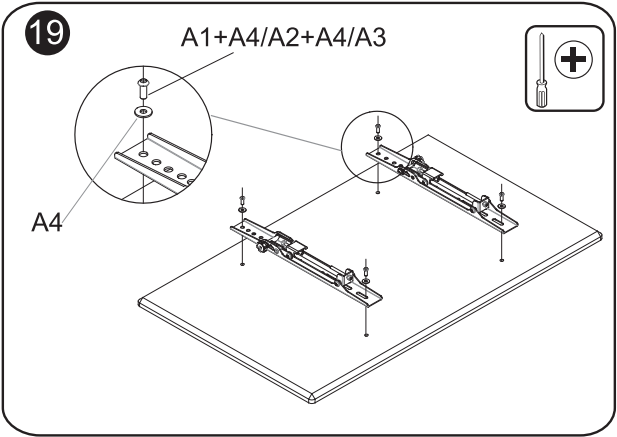
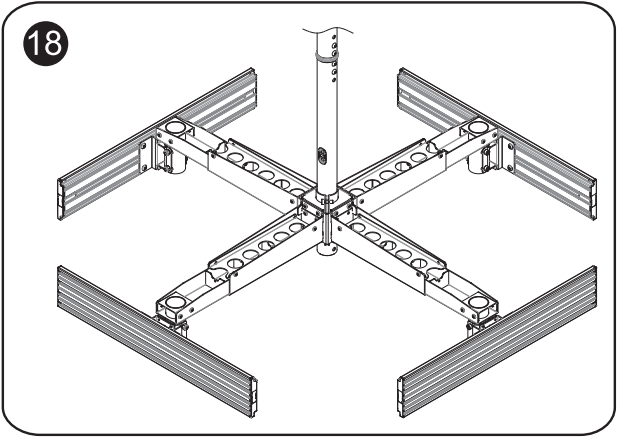
13



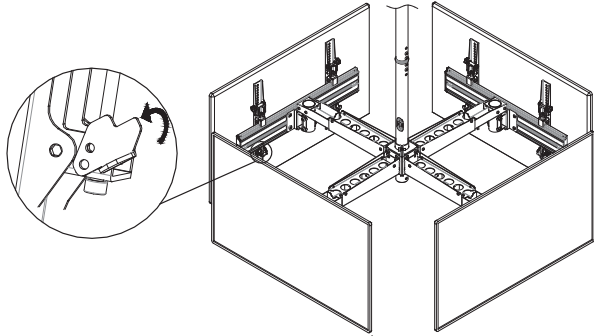
14





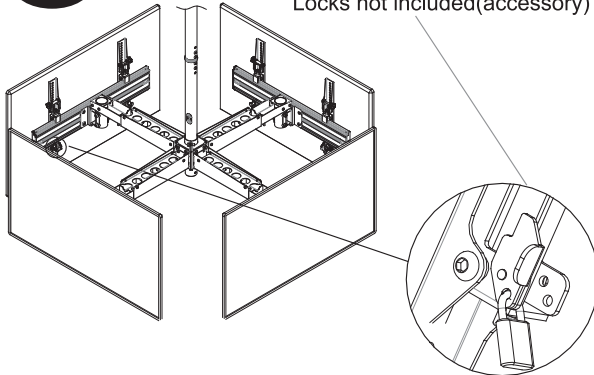


21-a



21-b

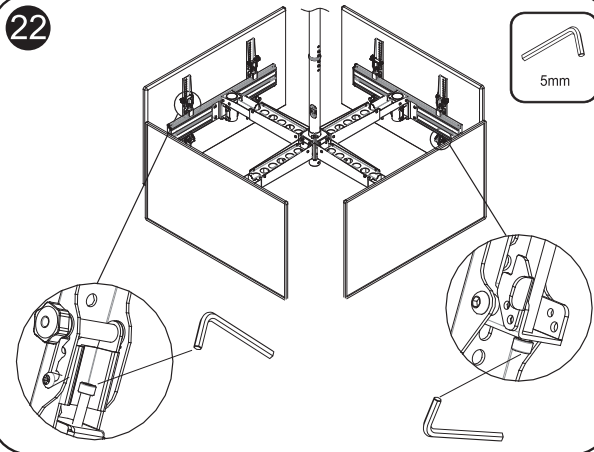
Locks not included(accessory)



22

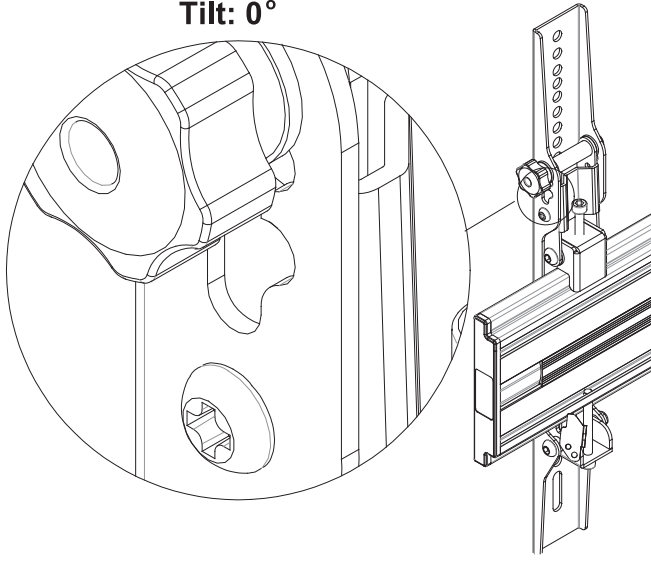


5mm



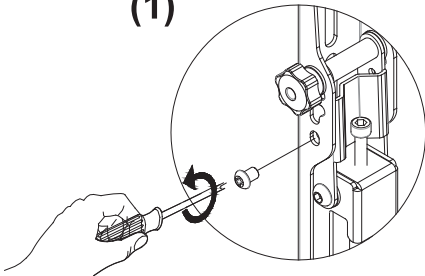
23-a

Tilt: 0°

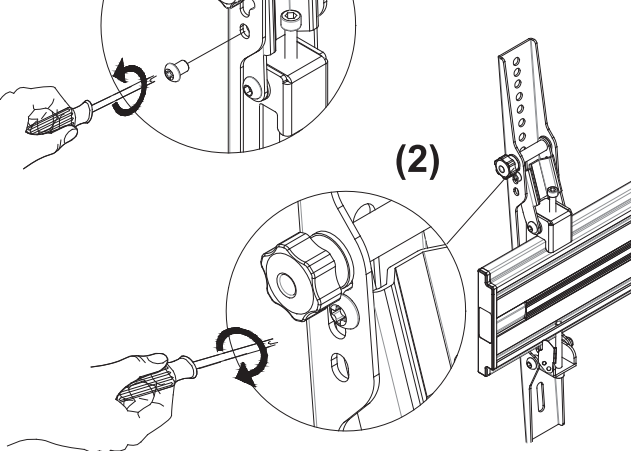


23-b

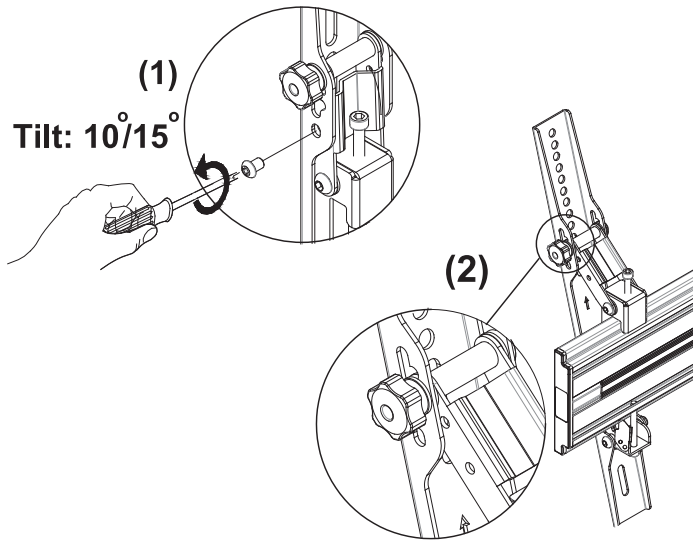
(1) Tilt: 5°



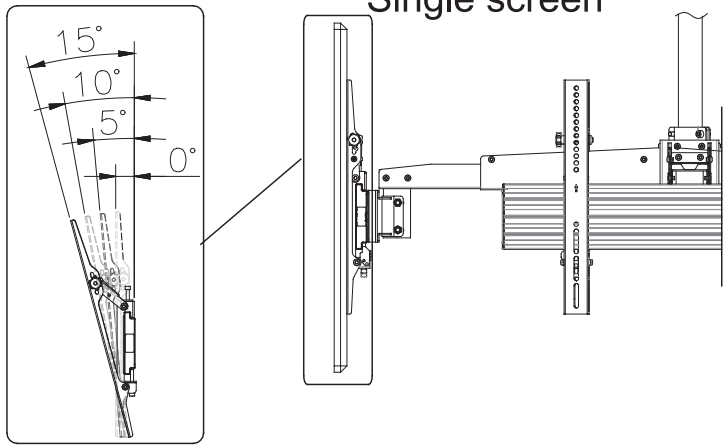
(2)



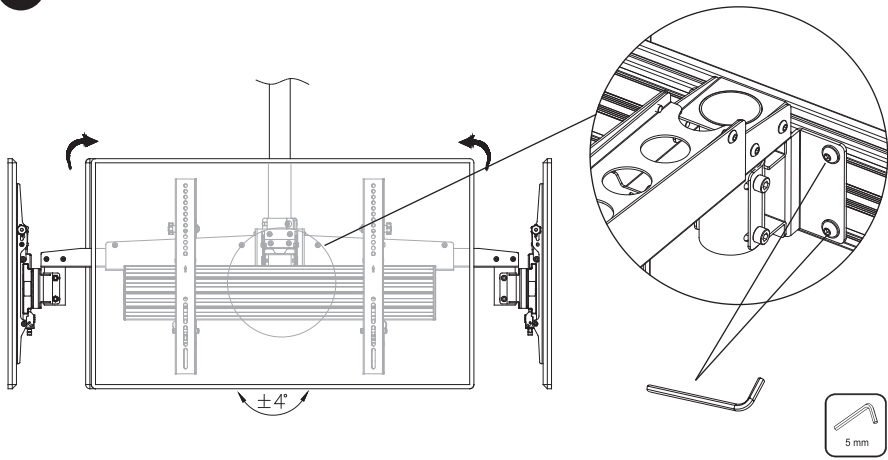
23-c



24



25



26

